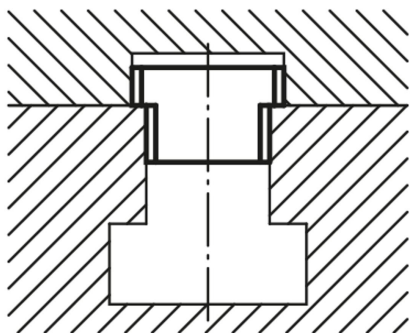
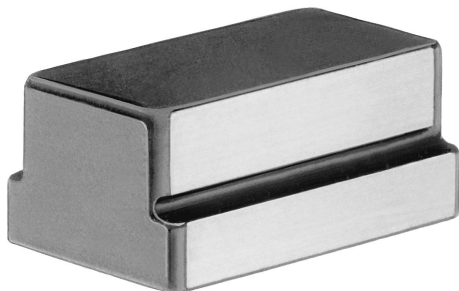


## Item description/product images



## Description

**Material:**

Hardened steel 1.0401

**Version:**

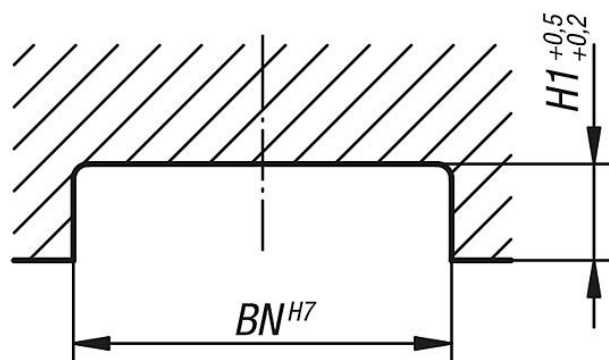
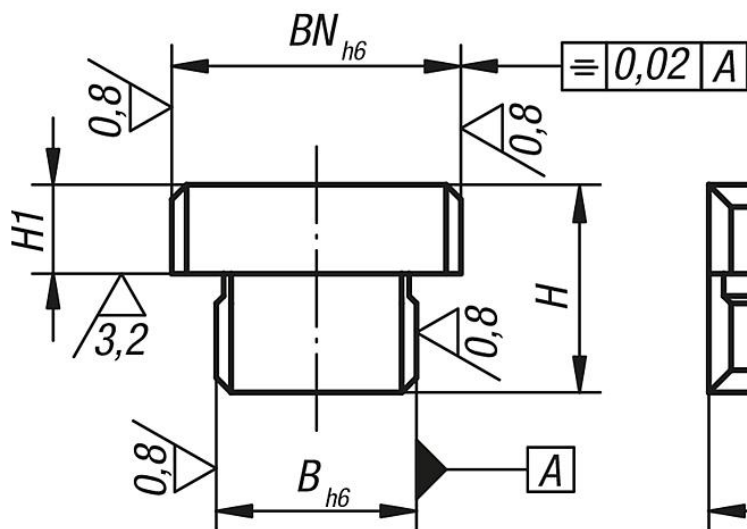
Case-hardened, black oxidised and ground.

**Note:**

Loose slot keys 03260 acc. to DIN 6323 combine the advantages of fixed slot keys with the improved handling of machine vices, dividing heads and fixtures. These keys can slide sideways after rough alignment.

No protruding key on the base to damage the machine table when moving the fixture.

## Drawings



## Overview of items

Order No.	BN=Slot width	B	H	H1	L
03260-10	12	10	12	3,6	20
03260-12	20	12	14	5,5	32
03260-14	20	14	14	5,5	32
03260-16	20	16	14	5,5	32
03260-18	20	18	14	5,5	32