

Item description/product images



Description

Material:

Body steel.

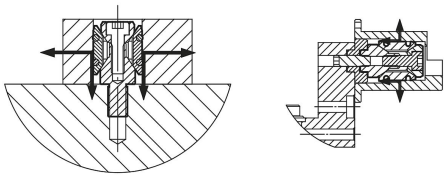
Bushes carbon steel.

Version:

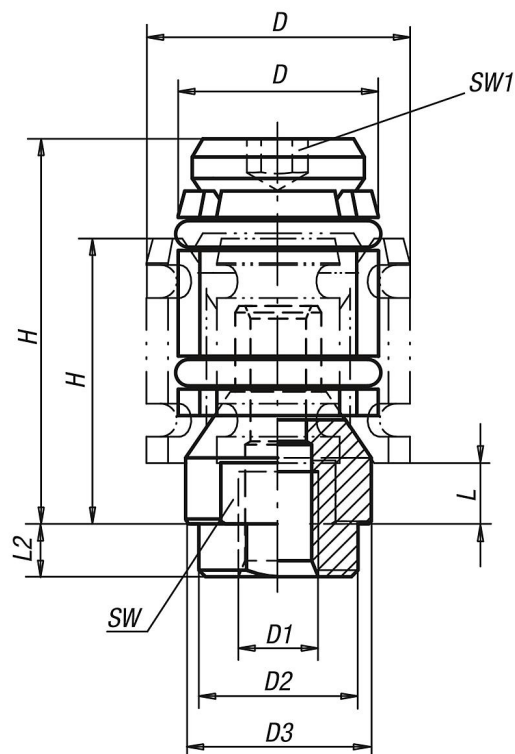
Black oxidised.

Note:

These centring clamps enable workpieces to be centred on and lightly clamped in a bore. The clamps have a wide expansion range. The series covers a bore range of $\varnothing 12$ to $\varnothing 30$ mm. To increase the centring accuracy the clamps with internal thread have a centring spigot (D2) for a locating hole. The centring accuracy is ± 0.2 mm. Centring clamps with internal threads fit on M6 grid systems (see illustration).



Drawings



Overview of items

Order No.	Thread type	D	D1	L2	D min.	D2	D3	H min.	H max.	L min.	SW	SW1	Clamping force max. kN	Tightening torque max. Nm
03165-0615	internal thread	15	M6	4	12	12	11,4	22	27,5	4,8	9	2,5	1,5	2,2
03165-0619	internal thread	19	M6	4	15	12	14	24,5	32	4,8	12	4	2,5	6
03165-0624	internal thread	24	M6	4	19	12	17,8	26	35	4,5	15	5	4	10
03165-0630	internal thread	30	M6	4	24	12	23	32	44,5	7	19	5	4,5	10