

Item description/product images



Description

Material:

Legs and tube cap glass-bead reinforced polyamide.
Grip aluminium EN AW-6060.

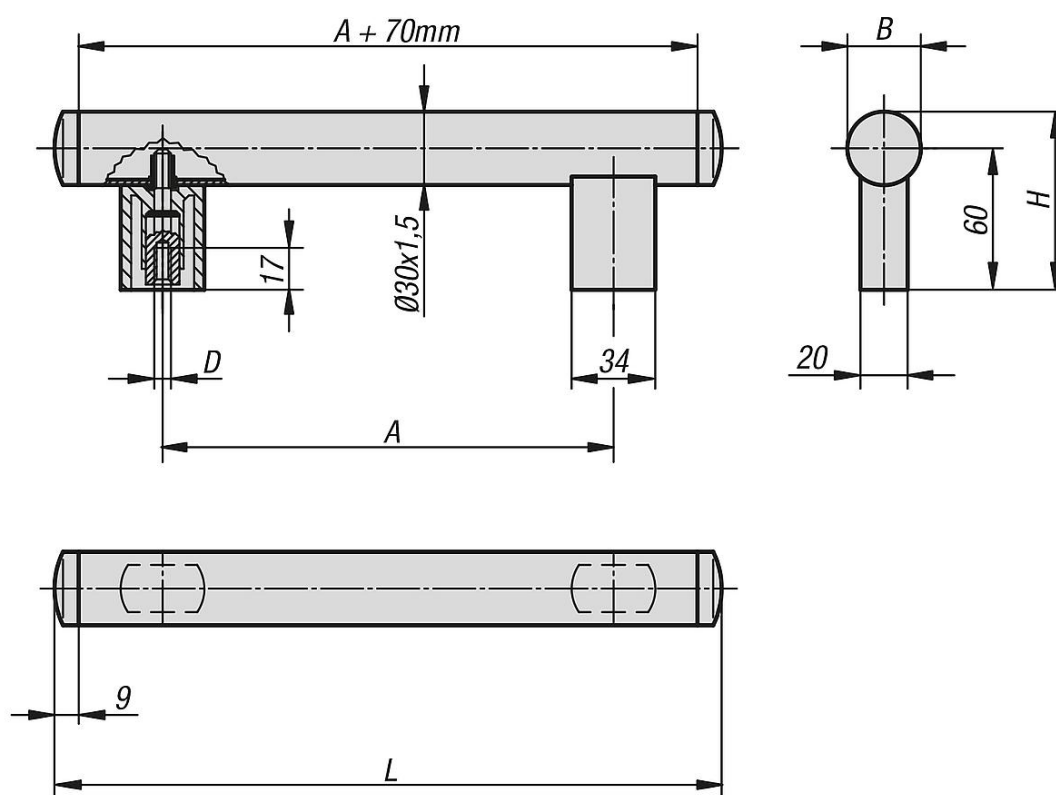
Version:

Grip finely ground and anodised black or natural tone.
Legs and tube cap semi-matt with fine texture, black.

Note:

The legs and tube are fastened together with pull-out resistant rivet nuts.

Drawings



Overview of items

Order No.	Main colour	A	B	D	H	L	Load capacity N
06940-200061	black anodised	200	30	M6	75	288	800
06940-250061	black anodised	250	30	M6	75	338	800
06940-300061	black anodised	300	30	M6	75	388	800
06940-400061	black anodised	400	30	M6	75	488	800
06940-500061	black anodised	500	30	M6	75	588	800
06940-200063	natural anodised	200	30	M6	75	288	800
06940-250063	natural anodised	250	30	M6	75	338	800
06940-300063	natural anodised	300	30	M6	75	388	800
06940-400063	natural anodised	400	30	M6	75	488	800
06940-500063	natural anodised	500	30	M6	75	588	800

