

Item description/product images



Description

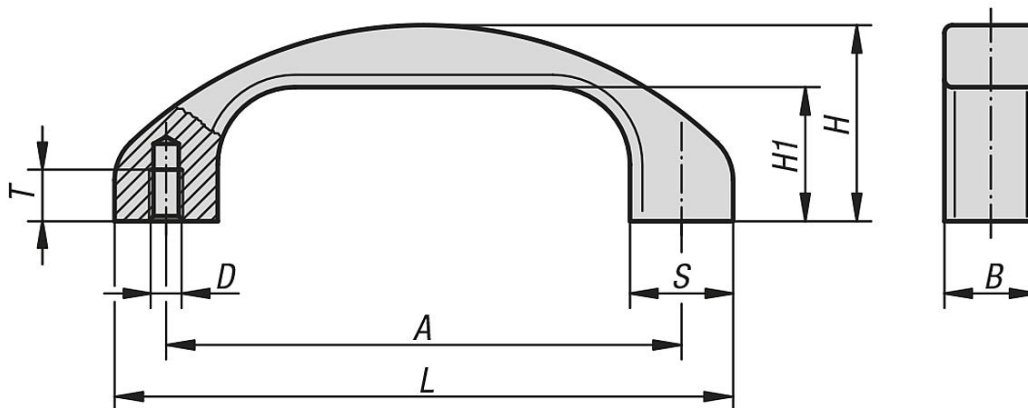
Material:

Profile aluminium EN AW-6060

Version:

High quality anodised version, glass-bead blasted, semi-gloss finish.

Drawings



Overview of items

Order No.	Main colour	A	B	D	H	H1	L	S	T	Load capacity N
06910-120061	black anodised	120	22	M6	46	31	144	24	12	1000
06910-140081	black anodised	140	25	M8	53	36	168	28	15	1000
06910-120063	natural anodised	120	22	M6	46	31	144	24	12	1000
06910-140083	natural anodised	140	25	M8	53	36	168	28	15	1000