

## Item description/product images



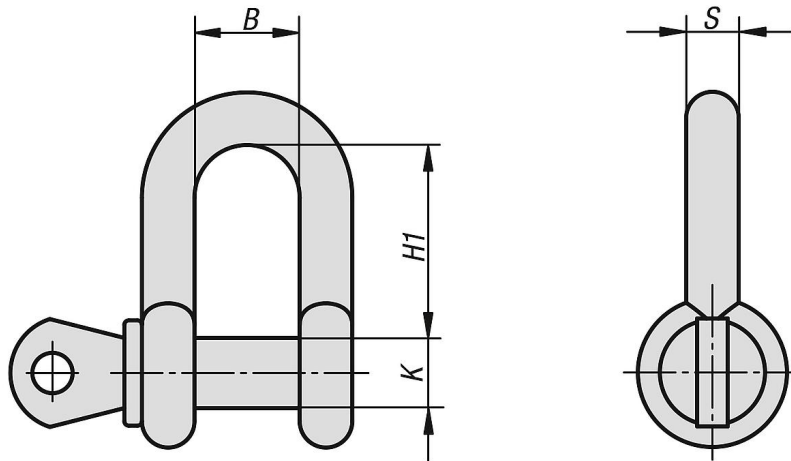
## Description

**Material:**  
Steel.

**Version:**  
D form

**Note:**  
Shackles and bolts may vary in colour.  
Paint may cause the thread to be stiff.

## Drawings



## Overview of items

Order No.	B	S	K	H1	Inches	Permissible load kg
07716-0050008	12	6,7	8	24,6	1/4	500
07716-0075010	13,5	7,9	9,5	27,2	5/16	750
07716-0100011	16,8	9,6	11	32,5	3/8	1000
07716-0150012	19	11,2	12,7	37,6	7/16	1500
07716-0200016	20,6	12,7	16	40,7	1/2	2000
07716-0325019	27	16	19	50	5/8	3250
07716-0475022	31,8	19	22,2	59,5	3/4	4750
07716-0650025	36,6	22	25,4	71	7/8	6500
07716-0850028	43	25	28,5	80,5	1	8500