

Item description/product images



Description

Material:

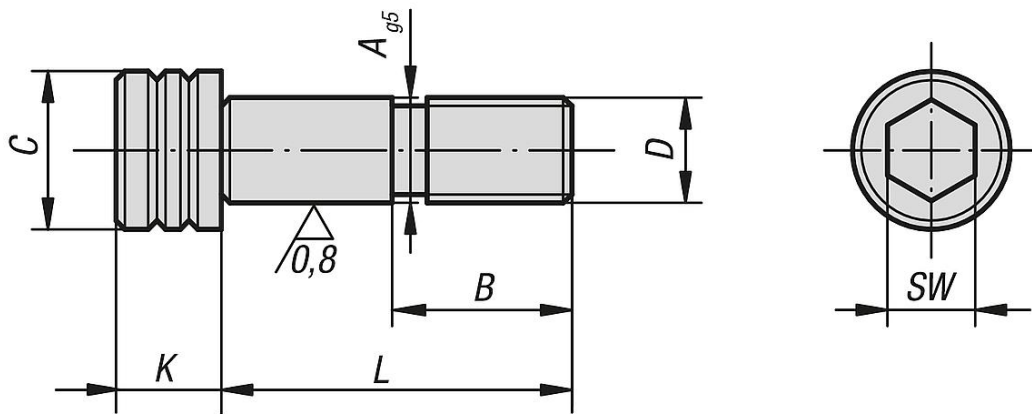
Carbon steel.

Version:

Tempered, black oxidised.

Precision diameters ground.

Drawings



Overview of items

Order No.	Form	A	B	C	D	K	L	SW	Tightening torque max. Nm
07533-12045	B	12	22	18	M12	12	45	10	88
07533-12055	B	12	22	18	M12	12	55	10	88
07533-12065	B	12	22	18	M12	12	65	10	88
07533-12075	B	12	22	18	M12	12	75	10	88
07533-16055	B	16	25	24	M16	16	55	14	216
07533-16065	B	16	25	24	M16	16	65	14	216
07533-16075	B	16	25	24	M16	16	75	14	216

