

## Item description/product images



## Description

**Material:**

Steel.

**Version:**

Tracks inductively hardened and ground.

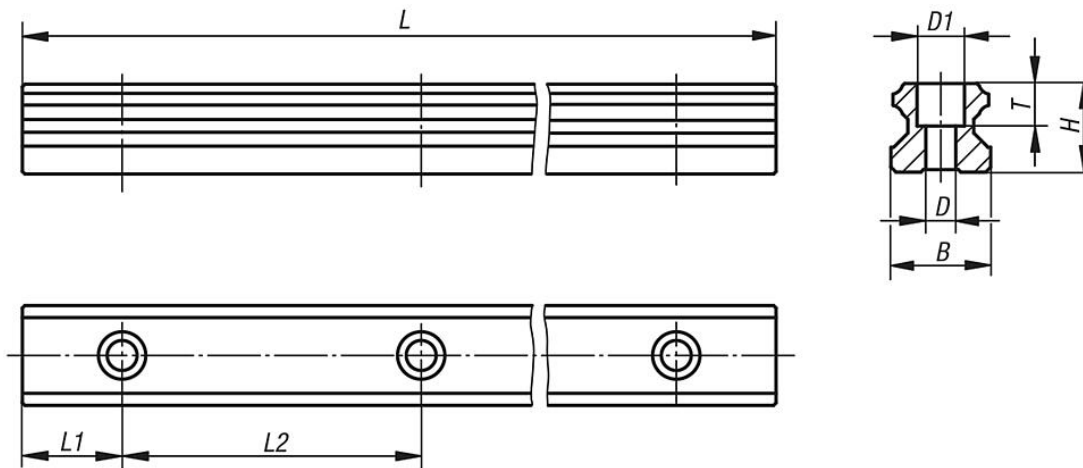
**Note:**

Profile guide rails can be screwed on from above. The profile guide rails are available in four sizes and one or more carriages can be assembled on them. 4-row versions with round arch profile. The tracks of the profile guide rails are set below an angle of 45° and thus can carry loads from all directions.

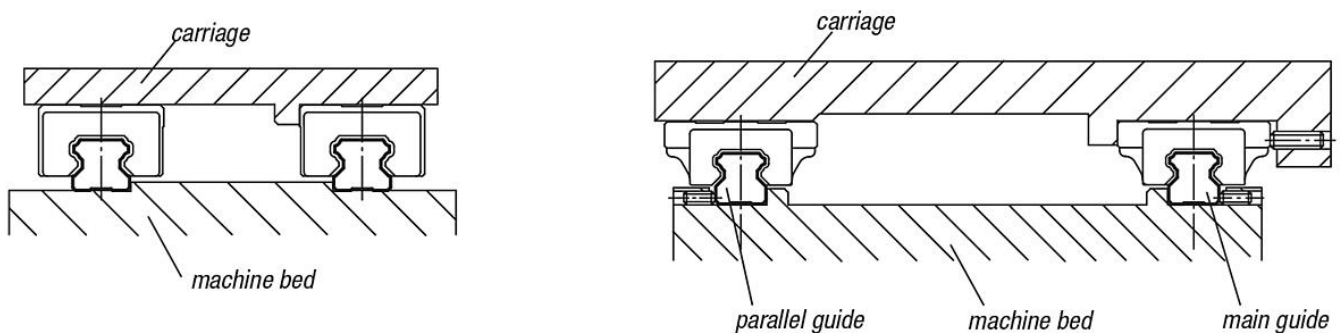
**On request:**

Lengths up to a max. 3960 mm.

## Drawings



Enables the arrangement of profile guide rails with carriages to form a guide system.



## Overview of items

Order No.	Size	B	D	D1	H	L	L1	L2	T
21410-1520X0520	15	15	4,5	7,5	14	520	20	60	5,3
21410-2020X0520	20	20	6	9,5	18	520	20	60	8,5

## Overview of items

Order No.	Size	B	D	D1	H	L	L1	L2	T
21410-2520X0520	25	23	7	11	22	520	20	60	9
21410-3020X0520	30	28	9	14	26	520	20	80	12