

Item description/product images

**Description****Material:**

Housing high-strength aluminium.
Stop system steel.

Version:

Housing anodised.
Stop system hardened and black oxidised.

Note:

Maintenance-free pneumatic rotary module with double actuated drive cylinder, heavy-duty version. Control by 4/2 or 5/2 directional valve. Pneumatic drive, 4-8 bar, constant, filtered (10 µm), dried, oiled or unoled. Compressed air connection R1/8. Modules of the same size can be combined with one another without adapter plates via the precise centring system by means of centring rings 20240.

The 0° – 190° rotation angle is infinitely adjustable.

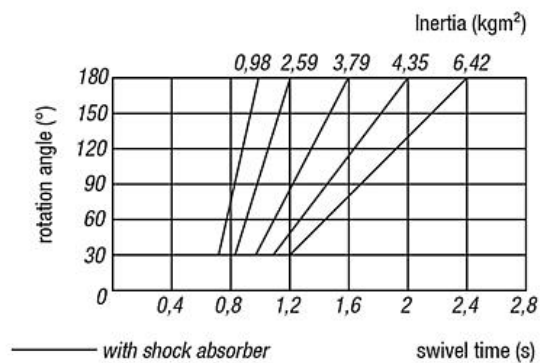
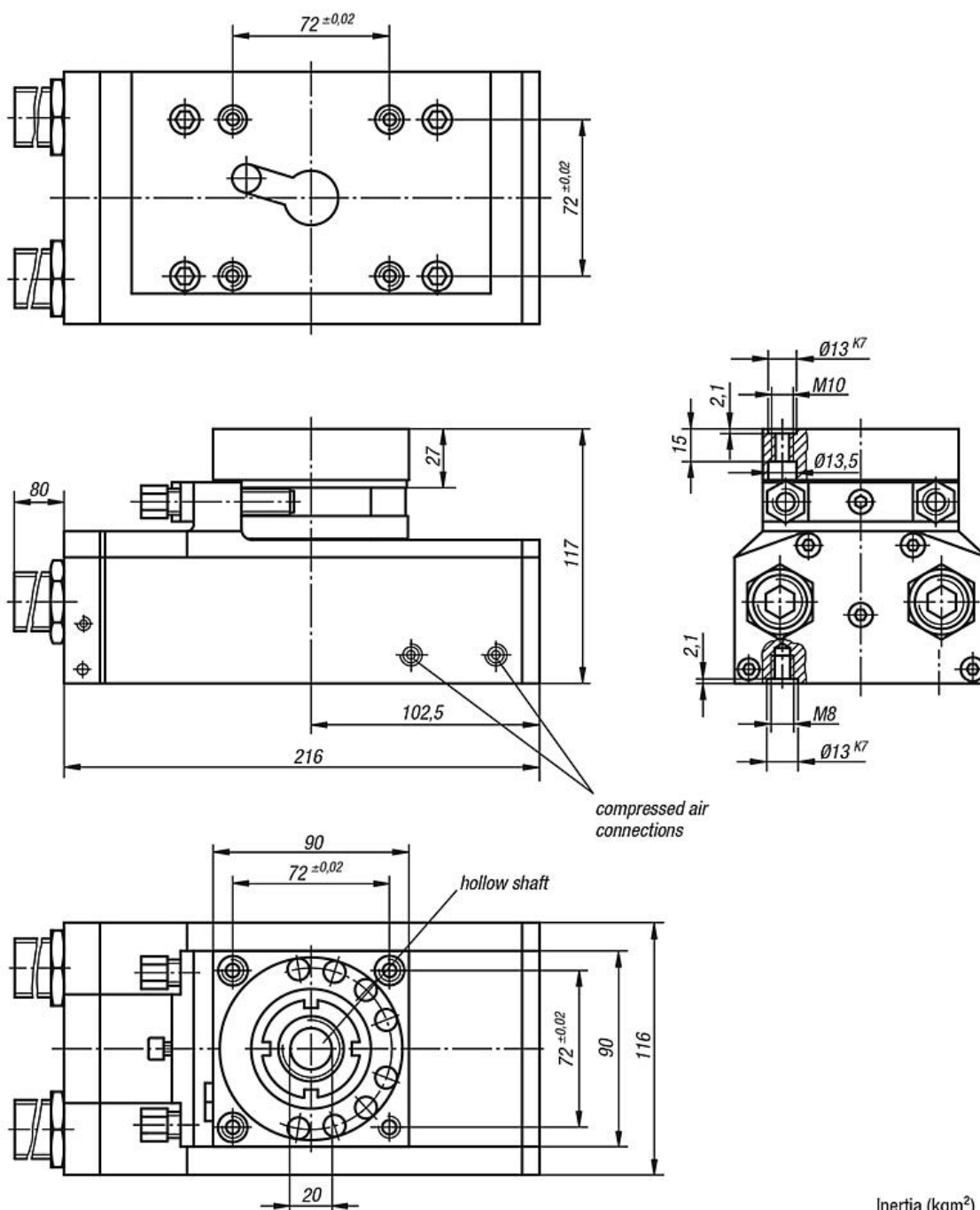
Repeat accuracy $\pm 0.01^\circ$.

Shock absorbers are supplied.

Accessory:

See table for proximity switches and plug connectors.

Drawings



Overview of items

Order No.	Size	Driving torque Nm	tilt moment max. Nm	Rotation angle	Axial load N	Radial load N	Cylinder Ø	Air consumption per cycle at 6 bar (ccm)
20064-029	9	24	110	0° - 190°	1800	2400	2 x 38	303

Order No.	Size	Suitable proximity switch	Suitable plug connector
20064-029	9	83000-15-030	80150-010X2000