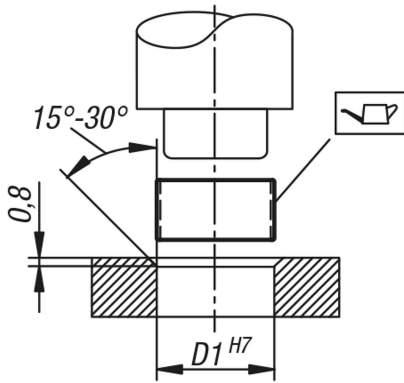


Item description/product images

**Description****Material:**

Base material, steel.
Intermediate layer sintered bronze.
Bearing surface PTFE.

Version:

Steel tin-plated.

Note:

Maintenance-free rolled composite steel plain bearings particularly suitable for dry running. Also highly suitable for lubricated applications (oil lubrication). Very low wear and friction, no stick-slip effect. Suitable for rotary and oscillating movements, high chemical resistance, low water absorption.

Technical data:

Static load: max. 250 N/mm²
Dynamic load: max. 140 N/mm²
Friction coefficient, dry: 0.03 to 0.20
Sliding speed, dry: max. 2 m/s
Sliding speed, oil lubricated: max. 5 m/s
Thermal conductivity: 42 W(m*K)-1
Thermal expansion coefficient: 11*10⁻⁶ K-1
Temperature range: -195°C to +280°C

Assembly:

The use of a suitable press mandrel is recommended to avoid damaging the bearing surface. The butt joint must be opposite the load zone. The bearing has an interference fit after installation. Gluing is possible but not required.

Tolerances:

Housing:

Recommended tolerance H7.

Surface finish Ra 0.8 to 1.6.

Chamfer (press-in side 0.8 to 1.2 x 15°).

Shaft:

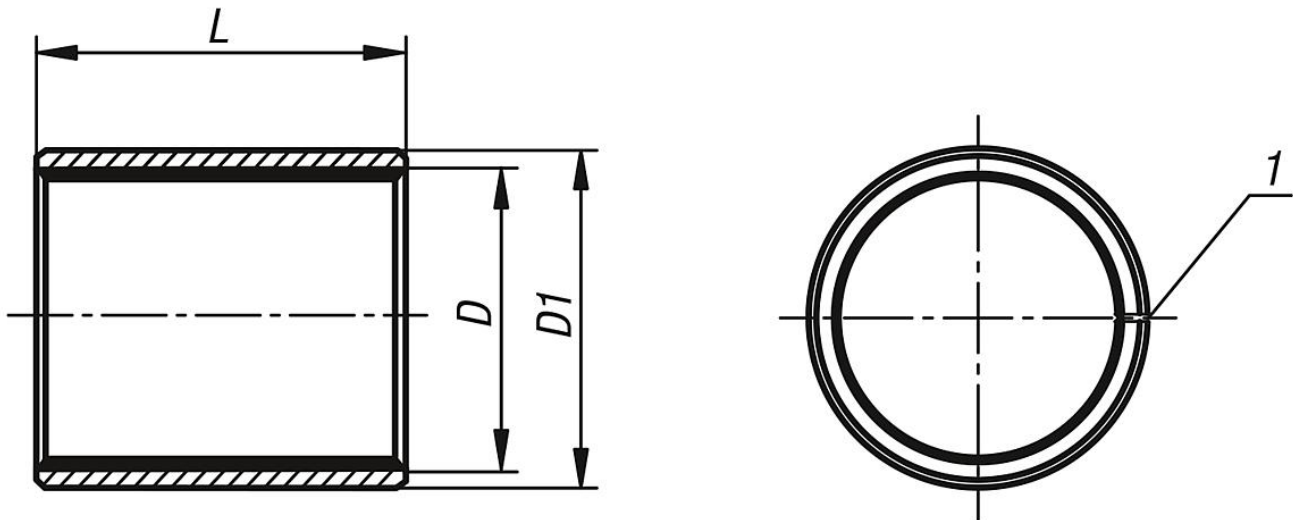
Recommended tolerance h8 to f7. For applications at a low speed and small loads drawn shafts with h9 can also be used.

Shaft surface Ra 0.4 to 0.8 (preferably ground shafts) for drawn shafts Ra 1.6 to 3.2.

Drawing reference:

1) Butt joint

Drawings



Overview of items

Order No.	D	D1	L
23730-00300404	3	4,5	4
23730-00300405	3	4,5	5
23730-00300406	3	4,5	6
23730-00400504	4	5,5	4
23730-00400506	4	5,5	6
23730-00400508	4	5,5	8
23730-00500705	5	7	5
23730-00500708	5	7	8
23730-00600805	6	8	5
23730-00600806	6	8	6
23730-00600810	6	8	10
23730-00700910	7	9	10
23730-00801006	8	10	6
23730-00801008	8	10	8
23730-00801010	8	10	10
23730-01001206	10	12	6
23730-01001208	10	12	8
23730-01001210	10	12	10
23730-01001212	10	12	12
23730-01001215	10	12	15
23730-01001220	10	12	20
23730-01201406	12	14	6
23730-01201408	12	14	8
23730-01201410	12	14	10
23730-01201412	12	14	12
23730-01201415	12	14	15
23730-01201420	12	14	20
23730-01401610	14	16	10
23730-01401620	14	16	20
23730-01501710	15	17	10
23730-01501712	15	17	12
23730-01501715	15	17	15
23730-01501720	15	17	20
23730-01601810	16	18	10
23730-01601815	16	18	15
23730-01601820	16	18	20
23730-01601825	16	18	25
23730-01802020	18	20	20
23730-02002310	20	23	10

Overview of items

Order No.	D	D1	L
23730-02002312	20	23	12
23730-02002315	20	23	15
23730-02002320	20	23	20
23730-02002330	20	23	30
23730-02202520	22	25	20
23730-02402725	24	27	25
23730-02502815	25	28	15
23730-02502820	25	28	20
23730-02502825	25	28	25
23730-02502830	25	28	30
23730-02502840	25	28	40
23730-02602915	26	30	15
23730-02602920	26	30	20
23730-02602930	26	30	30
23730-02803220	28	32	20
23730-02803225	28	32	25
23730-03003412	30	34	12
23730-03003415	30	34	15
23730-03003420	30	34	20
23730-03003430	30	34	30
23730-03003435	30	34	35
23730-03203620	32	36	20
23730-03203625	32	36	25
23730-03503920	35	39	20
23730-03503940	35	39	40
23730-03804225	38	42	25
23730-04004420	40	44	20
23730-04004430	40	44	30
23730-04004450	40	44	50
23730-05005530	50	55	30
23730-05005550	50	55	50