

Item description/product images

**Description****Material:**

Stainless steel 1.4401.

Version:

Polished.

Note:

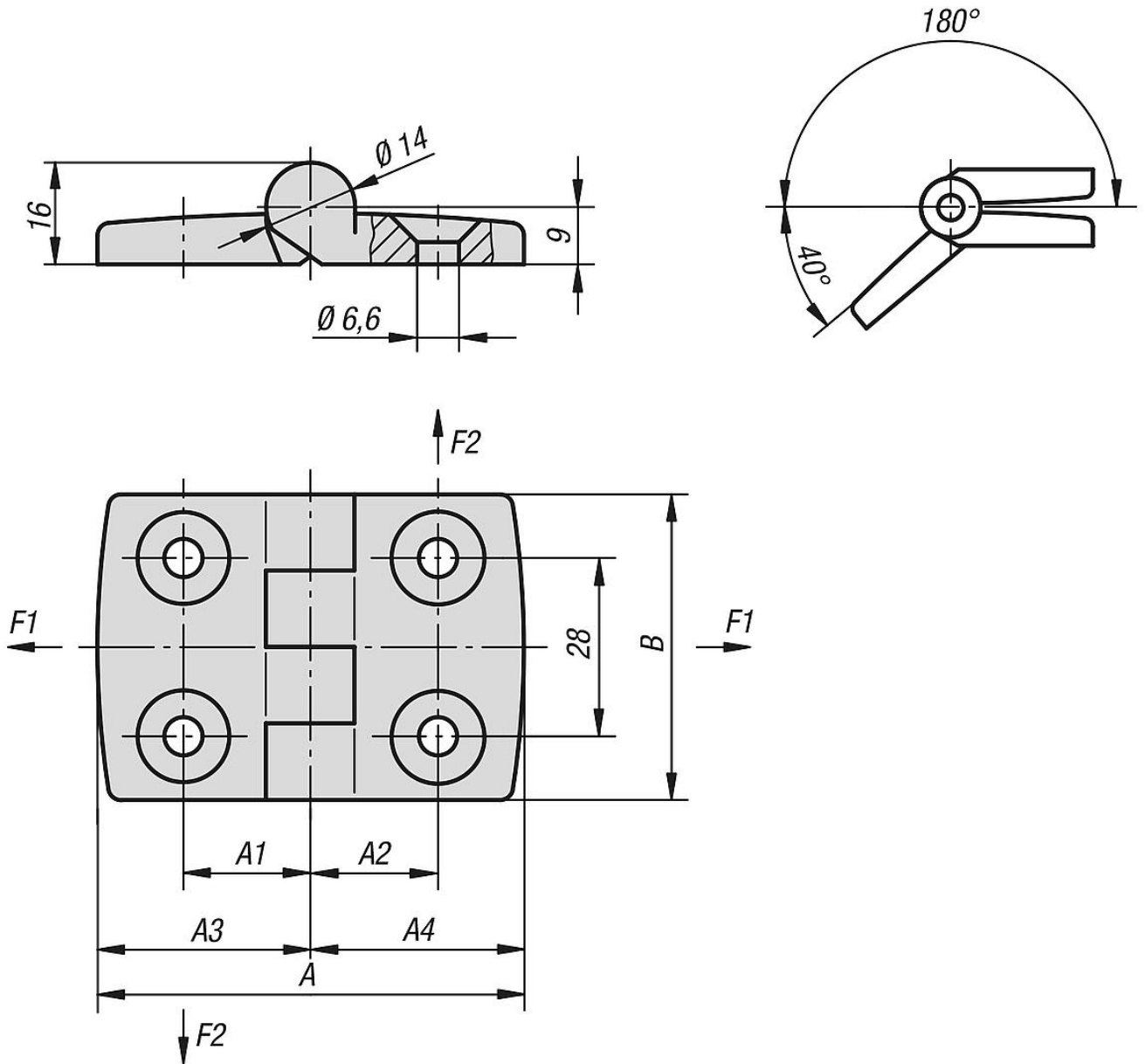
Hinges for panel elements and aluminium profiles.

The loading values given for the hinges are non-binding reference values without consideration of safety factors and exclude any liability. The values given are for information purposes only and do not constitute a legally binding assurance of properties.

The load values have been determined under laboratory conditions. Each user must determine individually whether the hinge is suitable for the respective application.

Different materials onto which the hinges are installed and the type of mounting, weather conditions and wear can influence the determined values.

Drawings



Overview of items

Order No.	A	A1	A2	A3	A4	B	F1 N	F2 N
27875-062615151	52	15	15	26	26	48	700	560
27875-063018181	59	17,5	17,5	29,5	29,5	48	800	575
27875-064023231	77	22,5	22,5	38,5	38,5	48	900	675
27875-064525251	85	25	25	42,5	42,5	48	900	675
27875-066033331	113	32,5	32,5	56,5	56,5	48	900	260

