

Item description/product images



Description

Material:

Plates, thermoplastic, fibreglass reinforced.
Anti-slip plate thermoplastic elastomer.

Version:

Black.

Note:

Levelling feet consist of a plate and a threaded spindle. Any plate can be combined with any threaded spindle.

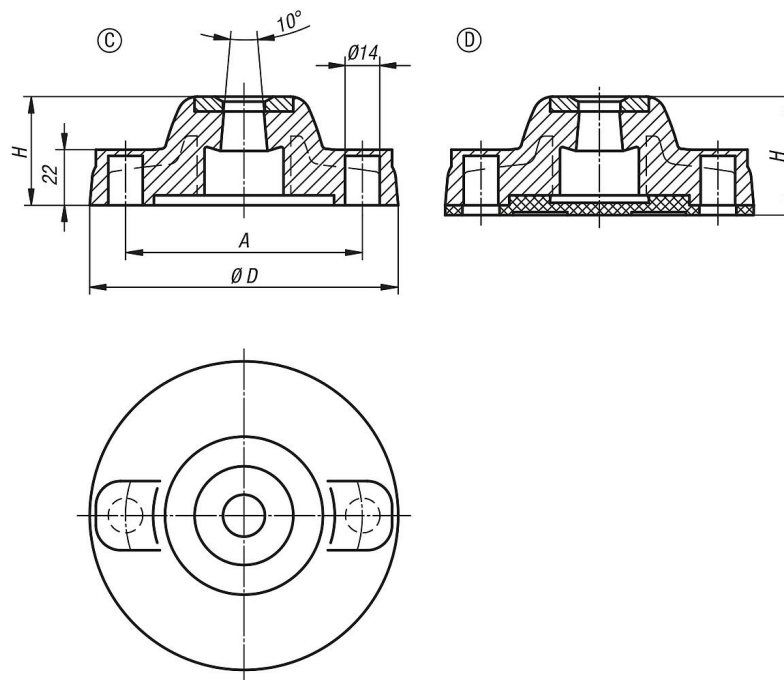
The anti-slip plate absorbs vibrations and prevents the levelling foot slipping.
For matching threaded spindles see 27828.

Drawing reference:

Form C with screw-on hole (closed), without anti-slip plate

Form D with screw-on hole (closed), with anti-slip plate

Drawings



Overview of items

Order No.	Form	D	A	H	Load rating max. kN
27816-31251	C	125	96	44	18
27816-31751	C	175	135	45	25
27816-41251	D	125	96	48	18
27816-41751	D	175	135	49	25

