

Item description/product images



Description

Material:

Thermoplastic polyamide 66

Version:

Black. Flat seal asbestos-free

Note:

Temperature resistant to 100°C.

Drawing reference:

Form A: with fill symbol

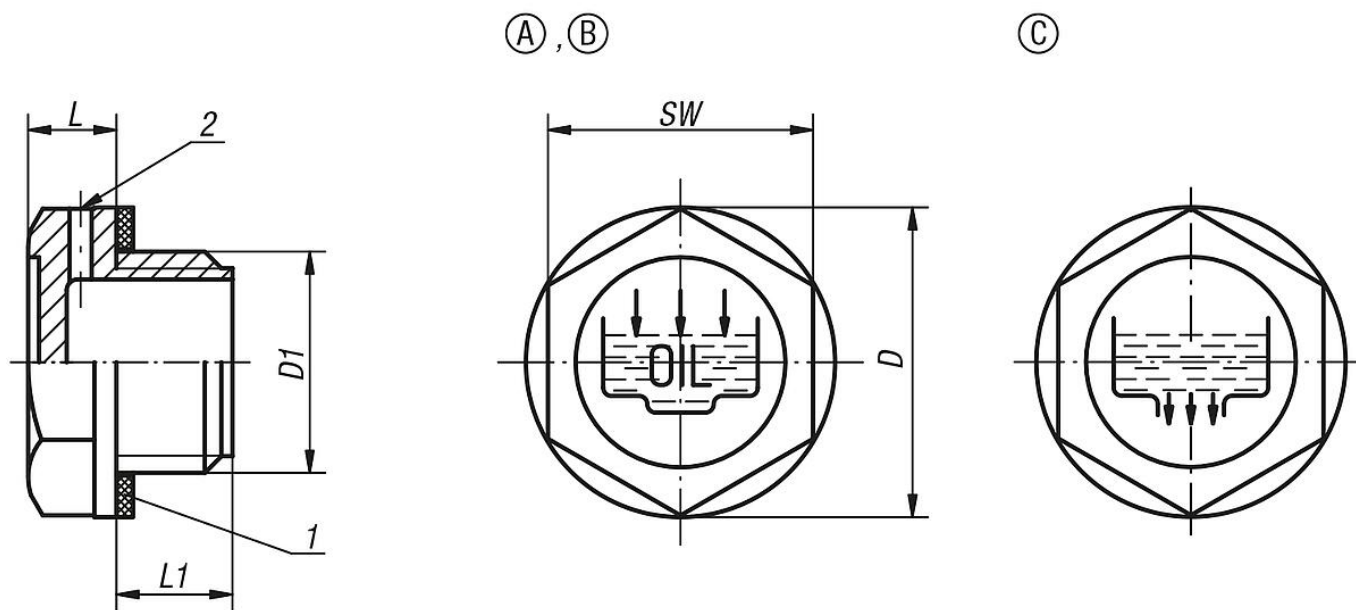
Form B: with fill symbol and vent hole

Form C: with drain symbol

1) flat seal

2) vent hole Form B only

Drawings



Overview of items

Order No. Form A	Order No. Form B	Order No. Form C	D	D1	L	L1	SW	Tightening torque max. Nm
28028-119014	28028-219014	28028-319014	19,5	G1/4	7	9/9/9	17	5
28028-122038	28028-222038	28028-322038	22	G3/8	7,5	10/10/10	18	8
28028-128012	28028-228012	28028-328012	28	G1/2	7,5	11/11/11	24	9
28028-134034	28028-234034	28028-334034	34	G3/4	9	11/11/11	30	11
28028-142100	28028-242100	28028-342100	42	G1	10,5	12/12/12	35	-
28028-151114	28028-251114	28028-351114	51	G1 1/4	12	13,5/13,5/13,5	42	-
28028-158112	28028-258112	28028-358112	58	G1 1/2	10	14,5/14,5/14,5	50	-
28028-174200	28028-274200	28028-374200	74	G2	13,5	16/16/16	64	-
28028-1191415	28028-2191415	28028-3191415	19,5	M14X1,5	7	8/9/9	17	5
28028-1211615	28028-2211615	28028-3211615	21	M16X1,5	7,5	10/10/10	18	6
28028-1261815	28028-2261815	28028-3261815	26	M18X1,5	7,5	10/10/10	21	7
28028-1282015	28028-2282015	28028-3282015	28	M20X1,5	8	10/10/10	24	8

Overview of items

Order No. Form A	Order No. Form B	Order No. Form C	D	D1	L	L1	SW	Tightening torque max. Nm
28028-1282215	28028-2282215	28028-3282215	28	M22X1,5	8	11/11/11	24	10
28028-1524015	28028-2524015	28028-3524015	52	M40X1,5	10	13/13/13	42	-