

Item description/product images



Description

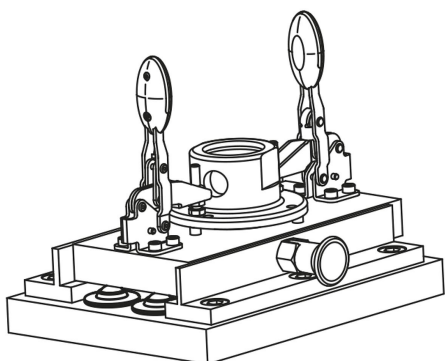
Material:
Steel electro zinc-plated.

Note:
Ball transfer units with spring clips for easy installation and removal from the functional side. The roller is held in place with spring clips, this permits generous tolerances in the receiving hole. They have a felt seal to protect against dirt. S = Minimum nominal thickness of mounting base.

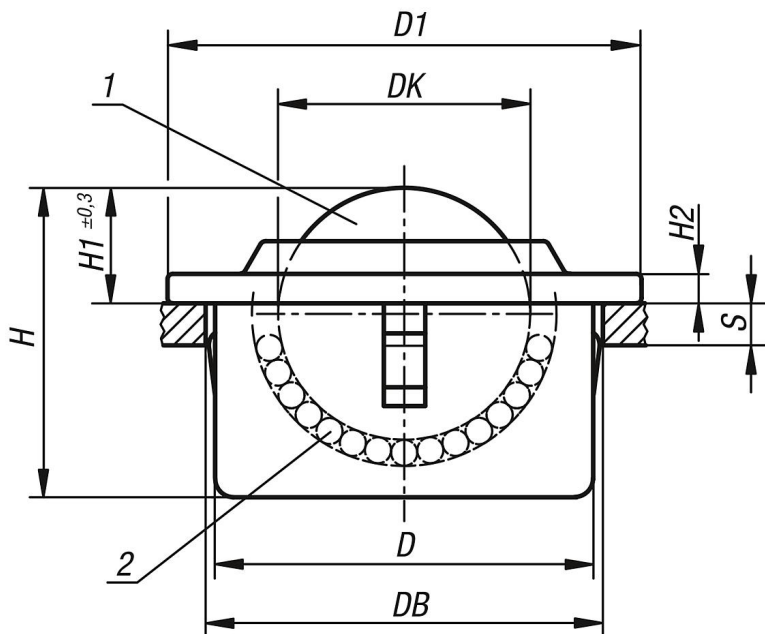
Drawing reference:

- 1) load ball
- 2) bearing balls

Form B: cap and housing electro zinc-plated, balls steel
Form C: cap and housing electro zinc-plated, balls stainless steel



Drawings



Overview of items

Order No.	Form	DK	D	D1	Receiver-Ø DB	H	H1	H2	S	Load rating C (N)
95160-115	B	15,8	24±0,1	31	25 +0,5	21	9,5	2,8	2	600
95160-122	B	22,2	36±0,1	45	37 +0,5	30	9,8	2,8	3	1600
95160-130	B	30	45±0,1	55	46 +0,5	37	13,8	4	6	3000

Overview of items

Order No.	Form	DK	D	D1	Receiver-Ø DB	H	H1	H2	S	Load rating C (N)
95160-215	C	15,8	24±0,1	31	25 +0,5	21	9,5	2,8	2	600
95160-222	C	22,2	36±0,1	45	37 +0,5	30	9,8	2,8	3	1600
95160-230	C	30	45±0,1	55	46 +0,5	37	13,8	4	6	3000