

## Item description/product images



## Description

**Material:**

Spring steel

**Version:**

Electro zinc-plated.

**Note:**

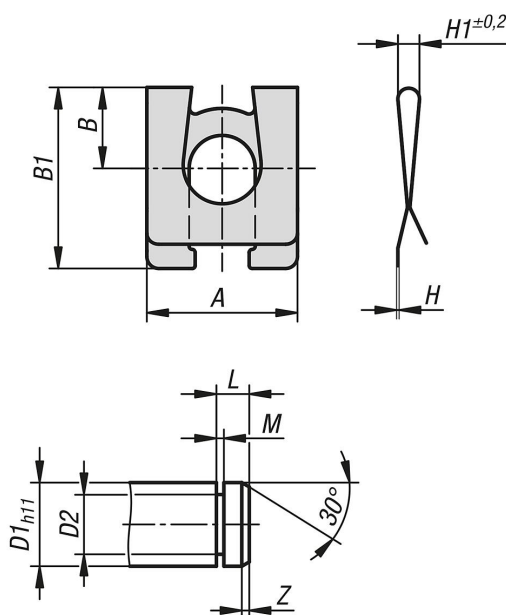
SL retainers prevent axial movement on shafts, axles and bolts with a groove or slot. The curvature provides a high degree of tension for a tight fit and compensates for tolerances. The SL retainers offer a high level of security against unintentional loosening.

Assembly and disassembly is possible both with and without assembly tools.

**Accessory:**

Pin with groove for circlip suitable for clevises 27621-01.

## Drawings



## Overview of items

Order No.	A	B	B1	D1	D2	H	H1	L	M	Z
07332-10-0407	7	4,1	8,6	4	3,2	0,3	1,9	2	0,64	0,5
07332-10-0509	9	5	10,9	5	4	0,4	2,25	2,5	0,74	0,5
07332-10-0611	11	6,2	13,9	6	5	0,4	3,1	3	0,74	1
07332-10-0814	14	8,6	18	8	6	0,45	3,5	3,5	0,94	0,5
07332-10-1018	18	10	22	10	8	0,5	3,6	4,5	1,05	1
07332-10-1222	22	11,8	25,9	12	9	0,5	4,8	5,5	1,15	1
07332-10-1425	25,1	13,5	30,2	14	10	0,6	4,8	5,5	1,25	1,25
07332-10-1628	28	16,2	34	16	12	0,6	4,8	6	1,35	1,5

