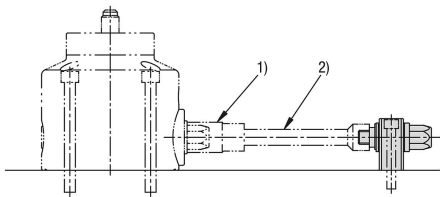
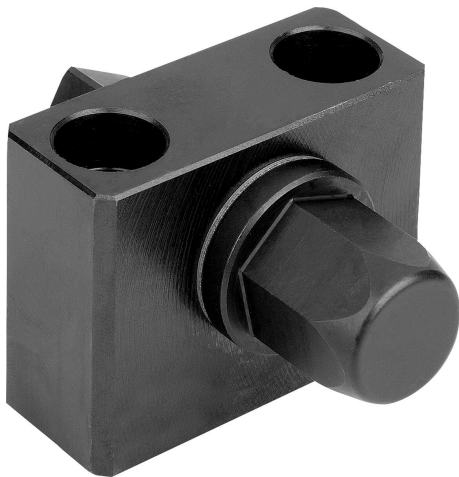


Item description/product images



Description

Product description:

Extension units are required if the drive elements of the automation-capable clamping elements are inaccessible due to lack of space.

Material:

Carbon steel.

Version:

Black oxidised.

Note:

1) socket and 2) drive shaft are not supplied.

Accessory:

04401 Automation capable pull clamps.

04401-10 Automation capable pull clamp with clamping screw.

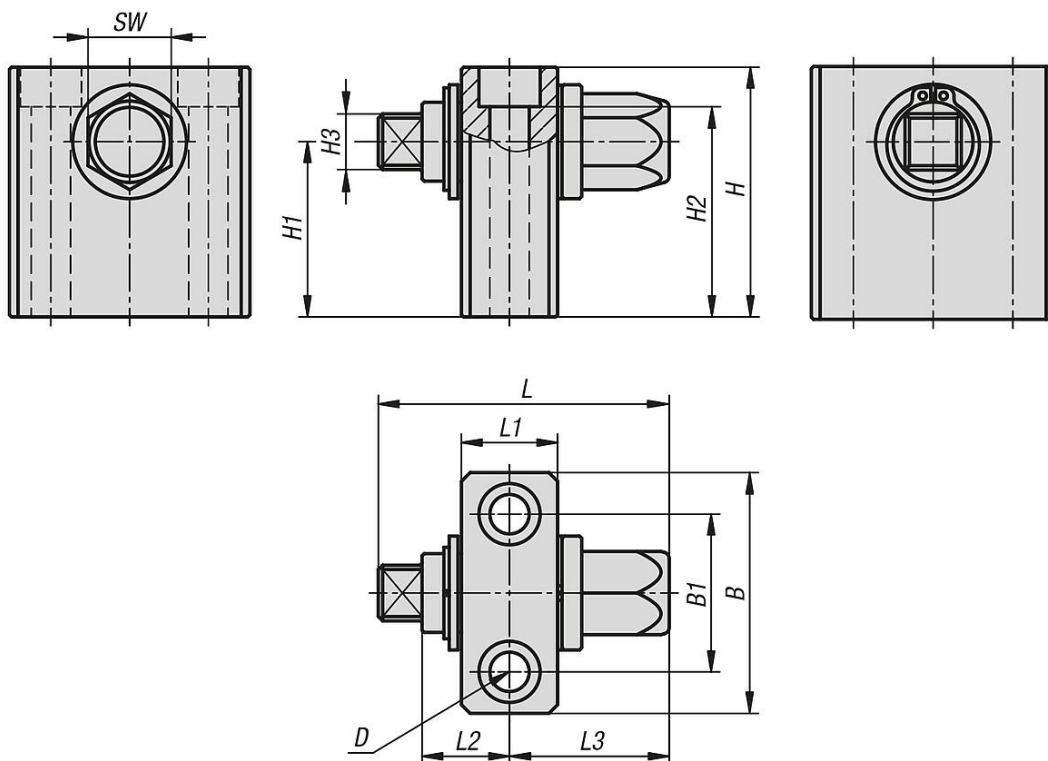
02334-10 Automation capable support element.

Drawing reference:

1) Socket

2) Drive shaft

Drawings



Overview of items

Order No.	B	B1	D for screw DIN 912	H	H1	H2	H3	L	L1	L2	L3	SW
04401-20-02504219	55	36	M8	42	25	33	12,7	66,5	22	20	36,5	19

## Overview of items

Order No.	B	B1	D for screw DIN 912	H	H1	H2	H3	L	L1	L2	L3	SW
04401-20-03004719	55	36	M8	47	30	38	12,7	66,5	22	20	36,5	19
04401-20-04005719	55	36	M8	57	40	48	12,7	66,5	22	20	36,5	19
04401-20-05006919	55	36	M8	69	50	57	12,7	66,5	22	20	36,5	19