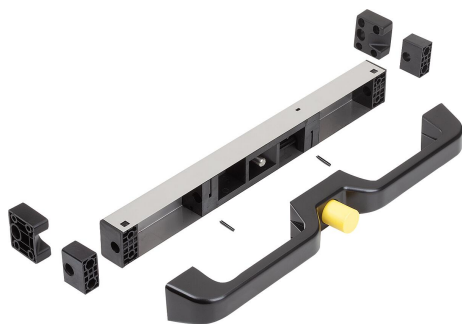


Item description/product images

**Description****Material:**

Grip steel.
Push button plastic.
Rod steel or stainless steel.

Version:

Steel electro zinc-plated.
Stainless steel bright.
Plastic yellow.

Note for ordering:

Rods for locking units are sold in pairs.

Note:

The grip with locking unit can be used for drawers with a width from 1.5 m. The rail thickness must be at least 17.5 mm. The system can be mounted in two positions. Front mounting for drawer retention and rear mounting for drawer retention and latching.

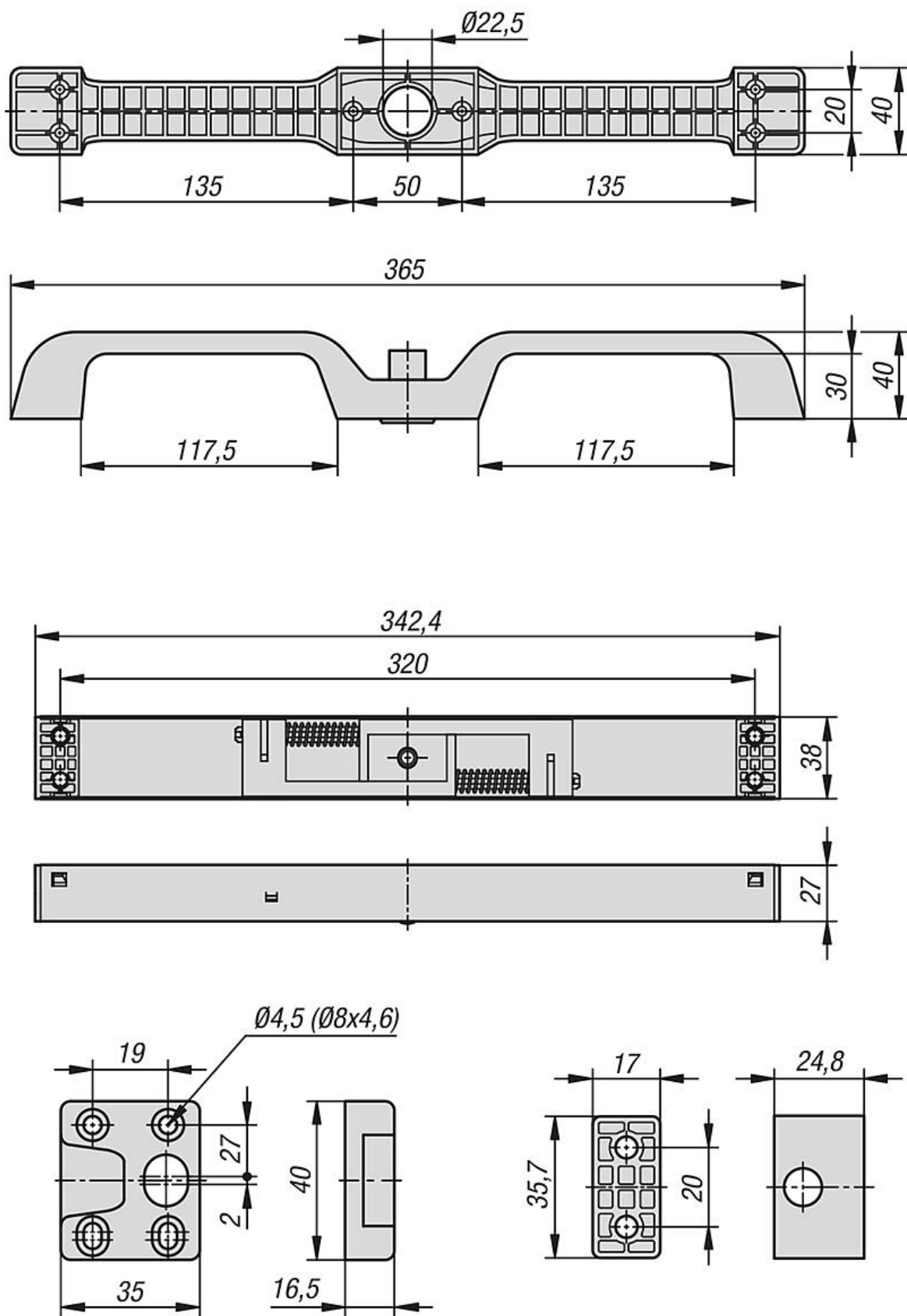
With the aid of the conversion kit for locking unit, the drawer can be locked in both closed and open position.

On request:

Red push button.

Accessory:

06894-91 Conversion kit for locking unit.
06894-900500, 06894-900750, 06894-910500, 06894-910750 Rod for locking unit.



Overview of items

Order No.	Item	Manufacturers article number	Version 1	Main material	Main colour	Surface finish body	D	L	F= thrust force (N)
06894-060	Grip	DBHANL-2	-	steel	black	galvanised	-	-	60
06894-120	Grip	DBHAND-2	-	steel	black	galvanised	-	-	120
06894-91	conversion set	DYHAN4-5	-	plastic	yellow	-	-	-	-
06894-900500	Rod	DZHAN3-0100-2	-	steel	-	galvanised	10	500	-
06894-900750	Rod	DZHAN3-0150-2	-	steel	-	galvanised	10	750	-
06894-910500	Rod	DSHAN3-0100-2	-	stainless steel	-	bright	10	500	-
06894-910750	Rod	DSHAN3-0150-2	-	stainless steel	-	bright	10	750	-