

Item description/product images

**Description****Material:**

Bronze with graphite inserts.

Version:

Self-lubricating.
Hardness 190-220 HBW.

Note:

The guide bushes can be used radially and axially.
The slide elements are maintenance-free and wear-resistant.
The graphite inserts provide lifetime lubrication.

Technical data:

Material properties:

Base alloys: CuZn25Al5Mn4Fe3-C.

Density: 8.2 kg/dm³.

Flexural fatigue strength: +/- 150 MPa.

Modulus of elasticity: 120,000 N/mm².

Coefficient of friction: 0.05 - 0.12.

Max. speed: 0.5 m/s.

Thermal conductivity: 50 W/(mK).

Coefficient of thermal expansion: 18x10⁻⁶ K⁻¹.

Electrically conductive: 7-8 m/(Ω·m-1).

Solid lubricant content: 20-25%.

Static surface pressure: 50 N/mm².

Dynamic surface pressure: 35 N/mm².

Temperature range:

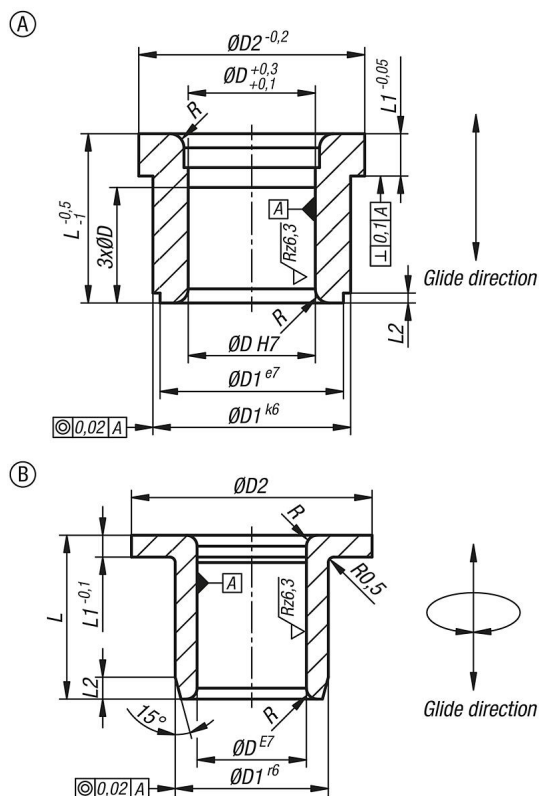
Up to 230 °C.

Tolerances:

The bore for the bearings should correspond to ISO tolerance H7.

The tolerance h6 to h7 is recommended for the shaft.

Drawings



Overview of items

Order No.	Form	D	D1	D2	L	L1	L2	R
23681-05-009014012	A	9	14	16	12	3	2	1
23681-05-009014017	A	9	14	16	17	3	2	1
23681-05-009014022	A	9	14	16	22	3	2	1
23681-05-009014027	A	9	14	16	27	3	2	1
23681-05-009014036	A	9	14	16	36	3	2	1
23681-05-010014012	A	10	14	16	12	3	2	1
23681-05-010014017	A	10	14	16	17	3	2	1
23681-05-010014022	A	10	14	16	22	3	2	1
23681-05-010014027	A	10	14	16	27	3	2	1
23681-05-010014036	A	10	14	16	36	3	2	1
23681-05-012018017	A	12	18	23	17	6	3	1,5
23681-05-012018022	A	12	18	23	22	6	3	1,5
23681-05-012018027	A	12	18	23	27	6	3	1,5
23681-05-012018036	A	12	18	23	36	6	3	1,5
23681-05-014020017	A	14	20	25	17	6	3	1,5
23681-05-014020022	A	14	20	25	22	6	3	1,5
23681-05-014020027	A	14	20	25	27	6	3	1,5
23681-05-014020036	A	14	20	25	36	6	3	1,5
23681-05-014020046	A	14	20	25	46	6	3	1,5
23681-05-014020056	A	14	20	25	56	6	3	1,5
23681-05-015020017	A	15	20	25	17	6	3	1,5
23681-05-015020022	A	15	20	25	22	6	3	1,5
23681-05-015020027	A	15	20	25	27	6	3	1,5
23681-05-015020036	A	15	20	25	36	6	3	1,5
23681-05-015020046	A	15	20	25	46	6	3	1,5
23681-05-015020056	A	15	20	25	56	6	3	1,5
23681-05-016022017	A	16	22	27	17	6	3	1,5
23681-05-016022022	A	16	22	27	22	6	3	1,5
23681-05-016022027	A	16	22	27	27	6	3	1,5
23681-05-016022036	A	16	22	27	36	6	3	1,5
23681-05-016022046	A	16	22	27	46	6	3	1,5
23681-05-016022056	A	16	22	27	56	6	3	1,5

Overview of items

Order No.	Form	D	D1	D2	L	L1	L2	R
23681-05-018026017	A	18	26	31	17	6	3	1,5
23681-05-018026022	A	18	26	31	22	6	3	1,5
23681-05-018026027	A	18	26	31	27	6	3	1,5
23681-05-018026036	A	18	26	31	36	6	3	1,5
23681-05-018026046	A	18	26	31	46	6	3	1,5
23681-05-018026056	A	18	26	31	56	6	3	1,5
23681-05-018026066	A	18	26	31	66	6	3	1,5
23681-05-020026017	A	20	26	31	17	6	3	1,5
23681-05-020026022	A	20	26	31	22	6	3	1,5
23681-05-020026027	A	20	26	31	27	6	3	1,5
23681-05-020026036	A	20	26	31	36	6	3	1,5
23681-05-020026046	A	20	26	31	46	6	3	1,5
23681-05-020026056	A	20	26	31	56	6	3	1,5
23681-05-020026066	A	20	26	31	66	6	3	1,5
23681-05-022030017	A	22	30	35	17	6	3	2
23681-05-022030022	A	22	30	35	22	6	3	2
23681-05-022030027	A	22	30	35	27	6	3	2
23681-05-022030036	A	22	30	35	36	6	3	2
23681-05-022030046	A	22	30	35	46	6	3	2
23681-05-022030056	A	22	30	35	56	6	3	2
23681-05-022030066	A	22	30	35	66	6	3	2
23681-05-022030076	A	22	30	35	76	6	3	2
23681-05-022030086	A	22	30	35	86	6	3	2
23681-05-024030017	A	24	30	35	17	6	3	2
23681-05-024030022	A	24	30	35	22	6	3	2
23681-05-024030027	A	24	30	35	27	6	3	2
23681-05-024030036	A	24	30	35	36	6	3	2
23681-05-024030046	A	24	30	35	46	6	3	2
23681-05-024030056	A	24	30	35	56	6	3	2
23681-05-024030066	A	24	30	35	66	6	3	2
23681-05-024030076	A	24	30	35	76	6	3	2
23681-05-024030086	A	24	30	35	86	6	3	2
23681-05-030042027	A	30	42	47	27	6	3	2
23681-05-030042036	A	30	42	47	36	6	3	2
23681-05-030042046	A	30	42	47	46	6	3	2
23681-05-030042056	A	30	42	47	56	6	3	2
23681-05-030042066	A	30	42	47	66	6	3	2
23681-05-030042076	A	30	42	47	76	6	3	2
23681-05-030042086	A	30	42	47	86	6	3	2
23681-05-030042096	A	30	42	47	96	6	3	2
23681-05-030042116	A	30	42	47	116	6	3	2
23681-05-032042027	A	32	42	47	27	6	3	2
23681-05-032042036	A	32	42	47	36	6	3	2
23681-05-032042046	A	32	42	47	46	6	3	2
23681-05-032042056	A	32	42	47	56	6	3	2
23681-05-032042066	A	32	42	47	66	6	3	2
23681-05-032042076	A	32	42	47	76	6	3	2
23681-05-032042086	A	32	42	47	86	6	3	2
23681-05-032042096	A	32	42	47	96	6	3	2
23681-05-032042116	A	32	42	47	116	6	3	2
23681-05-040054056	A	40	54	60	56	10	4	3
23681-05-040054066	A	40	54	60	66	10	4	3
23681-05-040054076	A	40	54	60	76	10	4	3
23681-05-040054086	A	40	54	60	86	10	4	3
23681-05-040054096	A	40	54	60	96	10	4	3
23681-05-040054116	A	40	54	60	116	10	4	3
23681-05-040054136	A	40	54	60	136	10	4	3
23681-05-040054156	A	40	54	60	156	10	4	3
23681-05-042054056	A	42	54	60	56	10	4	3
23681-05-042054066	A	42	54	60	66	10	4	3
23681-05-042054076	A	42	54	60	76	10	4	3
23681-05-042054086	A	42	54	60	86	10	4	3
23681-05-042054096	A	42	54	60	96	10	4	3
23681-05-042054116	A	42	54	60	116	10	4	3
23681-05-042054136	A	42	54	60	136	10	4	3

Overview of items

Order No.	Form	D	D1	D2	L	L1	L2	R
23681-05-042054156	A	42	54	60	156	10	4	3
23681-05-050066076	A	50	66	72	76	10	4	3
23681-05-050066086	A	50	66	72	86	10	4	3
23681-05-050066096	A	50	66	72	96	10	4	3
23681-05-050066116	A	50	66	72	116	10	4	3
23681-05-050066136	A	50	66	72	136	10	4	3
23681-05-050066156	A	50	66	72	156	10	4	3
23681-05-050066196	A	50	66	72	196	10	4	3
23681-05-060080096	A	60	80	86	96	20	4	3
23681-05-060080116	A	60	80	86	116	20	4	3
23681-05-060080136	A	60	80	86	136	20	4	3
23681-05-060080156	A	60	80	86	156	20	4	3
23681-05-060080196	A	60	80	86	196	20	4	3
23681-05-010014015	B	10	14	22	15	2	2	1
23681-05-010014020	B	10	14	22	20	2	2	1
23681-05-012018015	B	12	18	25	15	3	3	1
23681-05-012018020	B	12	18	25	20	3	3	1
23681-05-013019015	B	13	19	26	15	3	3	1,5
23681-05-013019020	B	13	19	26	20	3	3	1,5
23681-05-014020015	B	14	20	27	15	3	3	1,5
23681-05-014020020	B	14	20	27	20	3	3	1,5
23681-05-015021015	B	15	21	28	15	3	3	1,5
23681-05-015021020	B	15	21	28	20	3	3	1,5
23681-05-015021025	B	15	21	28	25	3	3	1,5
23681-05-016022015	B	16	22	29	15	3	3	1,5
23681-05-016022020	B	16	22	29	20	3	3	1,5
23681-05-016022025	B	16	22	29	25	3	3	1,5
23681-05-016022030	B	16	22	29	30	3	3	1,5
23681-05-020030015	B	20	30	40	15	5	3	1,5
23681-05-020030020	B	20	30	40	20	5	3	1,5
23681-05-020030030	B	20	30	40	30	5	3	1,5
23681-05-020030040	B	20	30	40	40	5	3	1,5
23681-05-025035020	B	25	35	45	20	5	3	2
23681-05-025035025	B	25	35	45	25	5	3	2
23681-05-025035030	B	25	35	45	30	5	3	2
23681-05-025035035	B	25	35	45	35	5	3	2
23681-05-025035040	B	25	35	45	40	5	3	2
23681-05-030040020	B	30	40	50	20	5	3	2
23681-05-030040025	B	30	40	50	25	5	3	2
23681-05-030040030	B	30	40	50	30	5	3	2
23681-05-030040035	B	30	40	50	35	5	3	2
23681-05-030040040	B	30	40	50	40	5	3	2
23681-05-030040050	B	30	40	50	50	5	3	2
23681-05-031040035	B	31,5	40	50	35	5	3	2
23681-05-035045025	B	35	45	60	25	5	4	2
23681-05-035045030	B	35	45	60	30	5	4	2
23681-05-035045040	B	35	45	60	40	5	4	2
23681-05-035045050	B	35	45	60	50	5	4	2
23681-05-040050030	B	40	50	65	30	5	4	2
23681-05-040050040	B	40	50	65	40	5	4	2
23681-05-040050050	B	40	50	65	50	5	4	2
23681-05-045055030	B	45	55	70	30	5	4	2
23681-05-045055040	B	45	55	70	40	5	4	2
23681-05-045055050	B	45	55	70	50	5	4	2
23681-05-045055060	B	45	55	70	60	5	4	2
23681-05-050060030	B	50	60	75	30	5	4	2
23681-05-050060040	B	50	60	75	40	5	4	2
23681-05-050060060	B	50	60	75	60	5	4	2
23681-05-055065040	B	55	65	80	40	5	4	2
23681-05-055065060	B	55	65	80	60	5	4	2
23681-05-060075040	B	60	75	90	40	7,5	4	3
23681-05-060075050	B	60	75	90	50	7,5	4	3
23681-05-060075080	B	60	75	90	80	7,5	4	3
23681-05-063075067	B	63	75	85	67,5	7,5	4	3
23681-05-070085050	B	70	85	105	50	7,5	4	3

Overview of items

Order No.	Form	D	D1	D2	L	L1	L2	R
23681-05-070085080	B	70	85	105	80	7,5	4	3
23681-05-075090060	B	75	90	110	60	7,5	4	3
23681-05-080100060	B	80	100	120	60	10	5	3
23681-05-080100080	B	80	100	120	80	10	5	3
23681-05-080100100	B	80	100	120	100	10	5	3
23681-05-090110060	B	90	110	130	60	10	5	3
23681-05-090110080	B	90	110	130	80	10	5	3
23681-05-100120080	B	100	120	150	80	10	5	3
23681-05-100120100	B	100	120	150	100	10	5	3
23681-05-120140080	B	120	140	170	80	10	5	3
23681-05-120140100	B	120	140	170	100	10	5	3