

Item description/product images

**Description****Material:**

Centring flange QT steel 1.1191 or 1.1192.

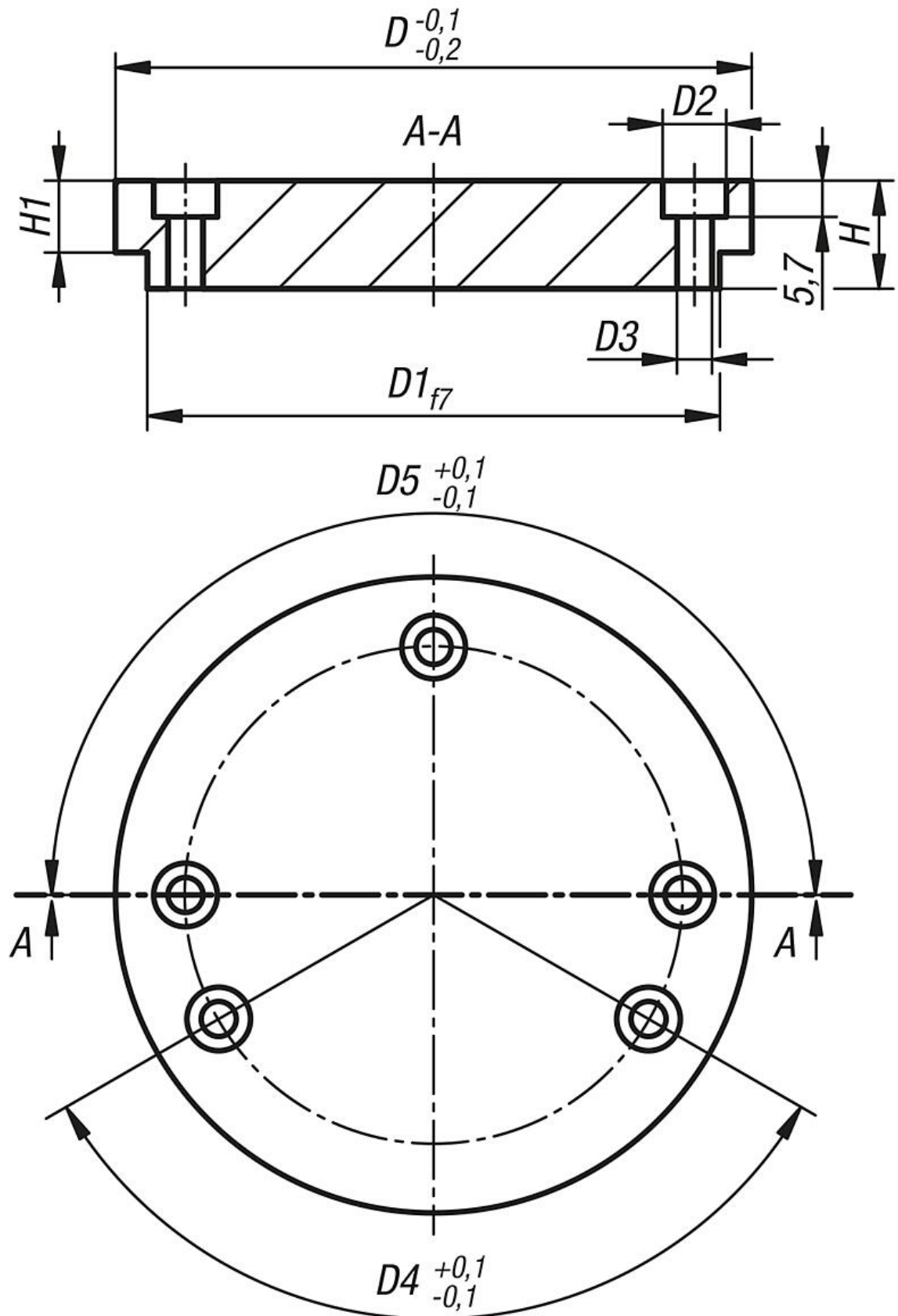
Note:

The centring flange with bore is a high-quality component that can be used in tool and die making. This centring flange has a precise shoulder that facilitates easy alignment and positioning of tools or dies. The conical bore of the flange provides excellent guidance and ensures a secure connection between different parts.

The centring flange with shoulder is an outstanding choice for tool and die making applications that require precise alignment. This flange has a shoulder that facilitates the alignment of parts and ensures stable positioning.

The centring flange with shoulder and screw holes can be used in tool and die making where precise alignment, secure fastening and reliable positioning are essential. Its combination of precise functions and screw holes makes it highly versatile in various manufacturing applications.

C



Overview of items

Order No.	Form	Form definition	Steel code	D	D1	D2	D3	D4	D5	H	H1
03152-30-210017	C	with seating and hole	1.1192	100	90	10	5,5	78	82	17	8
03152-30-211019	C	with seating and hole	1.1192	110	90	10	5,5	78	98	19	8
03152-30-212512	C	with seating and hole	1.1192	125	90	10	5,5	78	104	12	8
03152-30-212517	C	with seating and hole	1.1192	125	90	10	5,5	78	104	17	8
03152-30-212519	C	with seating and hole	1.1192	125	90	10	5,5	78	104	19	8
03152-30-212521	C	with seating and hole	1.1192	125	90	10	5,5	78	104	21	8
03152-30-216021	C	with seating and hole	1.1192	160	90	10	5,5	78	128	21	8