

Item description/product images



Description

**Material:**  
Carbon steel.

**Version:**  
Black oxidised.

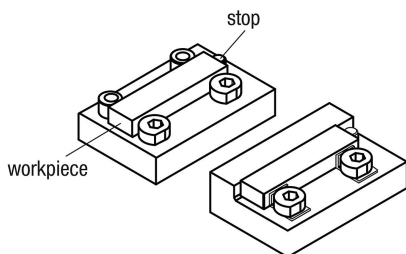
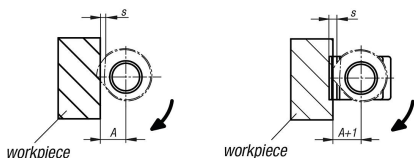
**Note:**  
Dimension A refers to the distance from the workpiece to screw centre (cam screw).

Form B with clamp plate is recommended to minimise scratches on the workpiece.

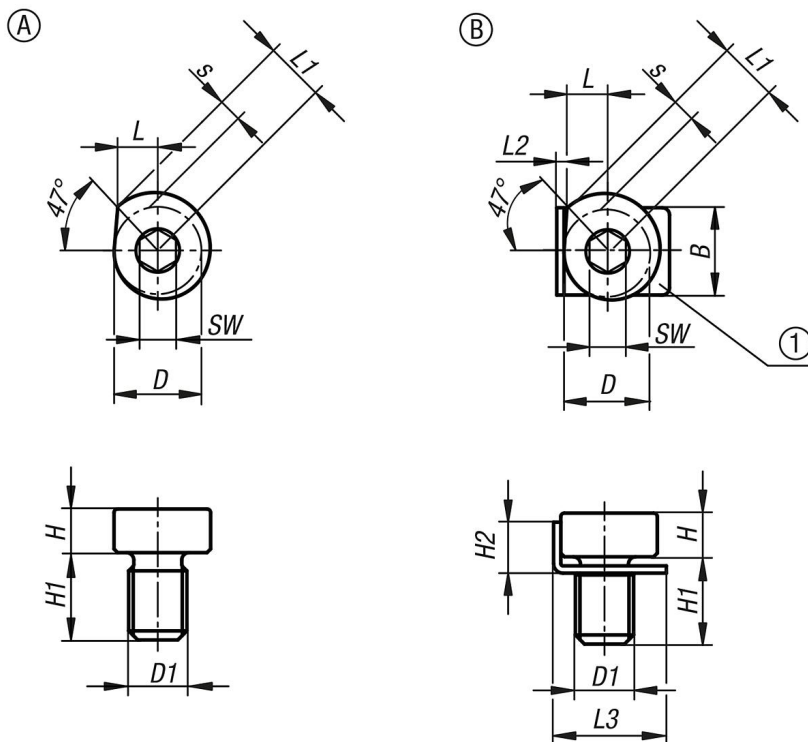
**Advantages:**  
- Compact design  
- Quick and easy clamping of components

**Accessory:**  
Clamping plate 04431-15.

**Drawing reference:**  
(1) clamping plate



Drawings



Overview of items

Order No.	Form	Form definition	A	B	D	D1	H	H1	H2
04431-10-060	A	-	5,9	-	10	M6	5	9	-

## Overview of items

Order No.	Form	Form definition	A	B	D	D1	H	H1	H2
04431-10-080	A	-	7,1	-	12	M8	6	12	-
04431-10-100	A	-	8,3	-	14	M10	7	15	-
04431-10-120	A	-	9,5	-	16	M12	8	18	-
04431-10-061	B	-	5,9	10	10	M6	5	9	6
04431-10-081	B	-	7,1	12	12	M8	6	12	7
04431-10-101	B	-	8,3	14	14	M10	7	15	8
04431-10-121	B	-	9,5	16	16	M12	8	18	9

Order No.	Form	L	L1	L2	L3	Travel S	SW	Clamping force kN	Tightening torque max. Nm
04431-10-060	A	5	6,8	-	-	1,8	4	2,2	7,4
04431-10-080	A	6	8,2	-	-	2,2	5	4,7	18
04431-10-100	A	7	9,5	-	-	2,5	6	7,9	35
04431-10-120	A	8	10,9	-	-	2,9	8	14	60
04431-10-061	B	5	6,8	1	13	1,8	4	2,2	7,4
04431-10-081	B	6	8,2	1	15,5	2,2	5	4,7	18
04431-10-101	B	7	9,5	1	18	2,5	6	7,9	35
04431-10-121	B	8	10,9	1	20	2,9	8	14	60