

Item description/product images

**Description****Material:**

Grip and housing die-cast zinc.

Version:

Grip and housing powder-coated black or silver.

Note:

When the grip is actuated, hatches, lids, covers or doors are opened remotely and invisibly via a Bowden cable.

The lockable releases are each supplied with 2 keys. The key can be removed in both positions (open and closed). The locks have a single key system, i.e. each lock can be opened with the same key.

The Bowden cable and fastening screws are not supplied.

Application:

The remote actuation is used where tight spaces make actuation difficult or where remote actuation is required for ergonomic or safety reasons.

Assembly:

Form A: From the rear using self-tapping M3 screws.

Form B: From the front.

Advantages:

Actuation possible in inaccessible assembly spaces.

Ergonomically optimised actuating position possible.

Actuation possible even when safety distances are required.

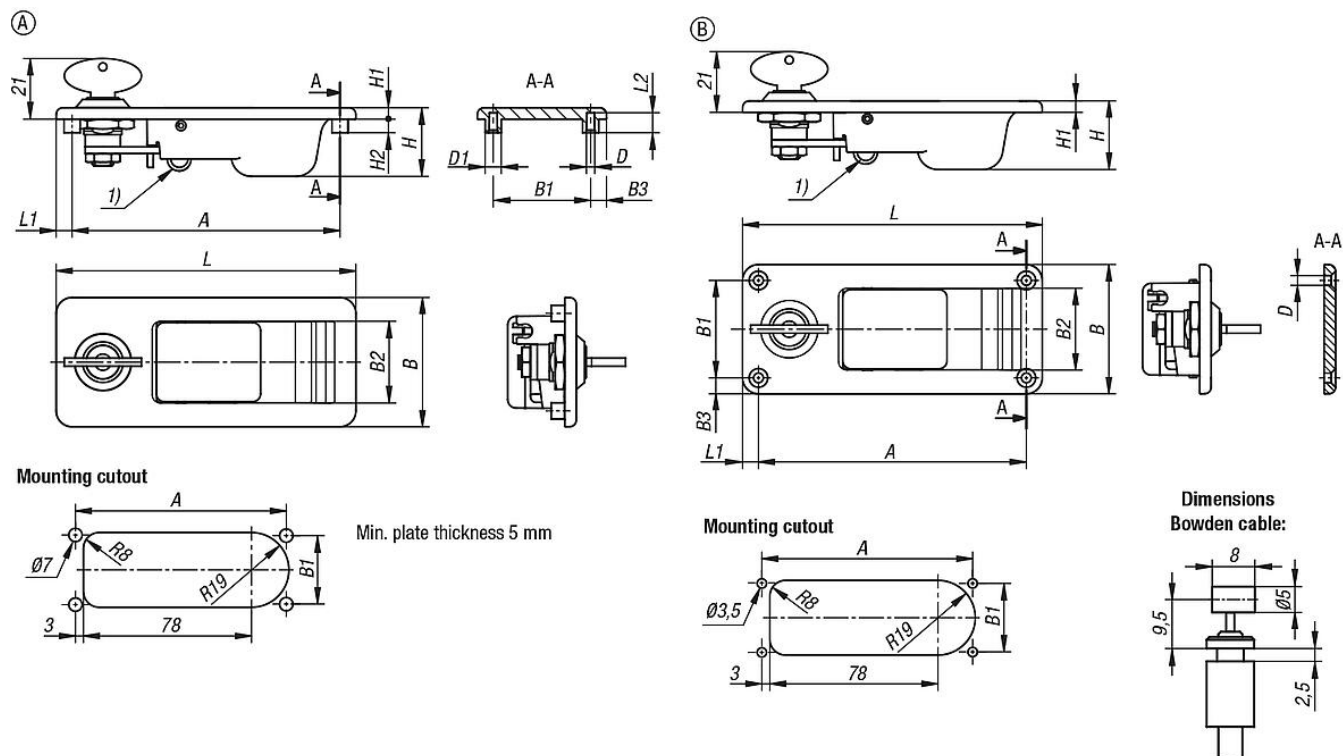
Accessory:

Bowden cable 05596-01

Drawing reference:

1) Bowden cable link

Drawings



Overview of items

Order No.	Version 1	Form	Main colour	Component colour	A	B	B1	B2	B3	D	D1	H	H2	L	L1	L2	Assembly
05596-2111114511	with lock	A	black	black	99	47,9	36	30,1	6	2,65	6	25,5	5	110,9	6	7,4	mounting from the rear
05596-2101114511	with lock	B	black	black	99	47,9	36	30,1	6	3,4	-	25,5	-	110,9	6	-	mounting from the front
05596-2011114511	without lock	A	black	black	99	47,9	36	30,1	6	2,65	6	25,5	5	110,9	6	7,4	mounting from the rear
05596-2001114511	without lock	B	black	black	99	47,9	36	30,1	6	3,4	-	25,5	-	110,9	6	-	mounting from the front
05596-2111114522	with lock	A	silver	silver	99	47,9	36	30,1	6	2,65	6	25,5	5	110,9	6	7,4	mounting from the rear
05596-2101114522	with lock	B	silver	silver	99	47,9	36	30,1	6	3,4	-	25,5	-	110,9	6	-	mounting from the front
05596-2011114522	without lock	A	silver	silver	99	47,9	36	30,1	6	2,65	6	25,5	5	110,9	6	7,4	mounting from the rear
05596-2001114522	without lock	B	silver	silver	99	47,9	36	30,1	6	3,4	-	25,5	-	110,9	6	-	mounting from the front
05596-2111114512	with lock	A	black	silver	99	47,9	36	30,1	6	2,65	6	25,5	5	110,9	6	7,4	mounting from the rear
05596-2101114512	with lock	B	black	silver	99	47,9	36	30,1	6	3,4	-	25,5	-	110,9	6	-	mounting from the front
05596-2011114512	without lock	A	black	silver	99	47,9	36	30,1	6	2,65	6	25,5	5	110,9	6	7,4	mounting from the rear
05596-2001114512	without lock	B	black	silver	99	47,9	36	30,1	6	3,4	-	25,5	-	110,9	6	-	mounting from the front
05596-2111114521	with lock	A	silver	black	99	47,9	36	30,1	6	2,65	6	25,5	5	110,9	6	7,4	mounting from the rear
05596-2101114521	with lock	B	silver	black	99	47,9	36	30,1	6	3,4	-	25,5	-	110,9	6	-	mounting from the front
05596-2011114521	without lock	A	silver	black	99	47,9	36	30,1	6	2,65	6	25,5	5	110,9	6	7,4	mounting from the rear
05596-2001114521	without lock	B	silver	black	99	47,9	36	30,1	6	3,4	-	25,5	-	110,9	6	-	mounting from the front