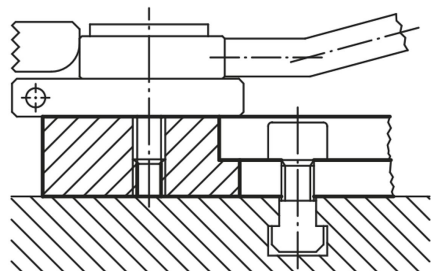


Item description/product images



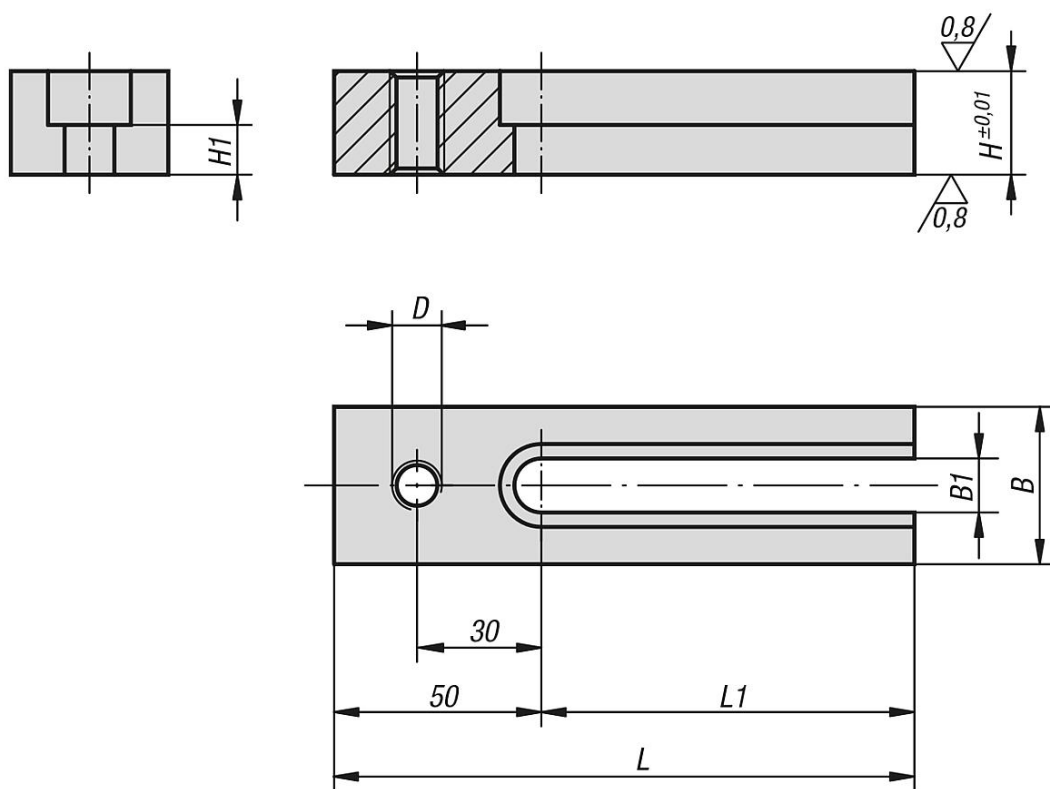
Description

**Material:**  
Carbon steel.

**Version:**  
Tempered, black oxidised.  
Contact faces ground.

**Note:**  
The tapped hole is for mounting fixture components.  
The slot allows the riser to be set in any desired position.

Drawings



Overview of items

Order No.	D	L	L1	B	B1	H	H1
02395-12025	M12	90	40	38	13	25	12
02395-12032	M12	90	40	38	13	32	19
02395-12040	M12	90	40	38	13	40	27
02395-12050	M12	90	40	38	13	50	37
02395-12125	M12	140	90	38	13	25	12
02395-12132	M12	140	90	38	13	32	19
02395-12140	M12	140	90	38	13	40	27

## Overview of items

Order No.	D	L	L1	B	B1	H	H1
02395-12150	M12	140	90	38	13	50	37
02395-16032	M16	90	40	50	17	32	15
02395-16040	M16	90	40	50	17	40	23
02395-16050	M16	90	40	50	17	50	33
02395-16132	M16	140	90	50	17	32	15
02395-16140	M16	140	90	50	17	40	23
02395-16150	M16	140	90	50	17	50	33