

Item description/product images



Description

Material:

Metal parts stainless steel.

Version:

Bright.

Note:

Ball lock pins are used for easy fastening or joining of components or workpieces. The two balls are disengaged by pressing the push button and the pin can be slipped into holes in the workpieces. Release the button to lock the balls and secure the connection.

Corrosion resistant. Option for connecting retaining cable.

Shear force double shear (F) = S · τ aB max.

The values given for the shear force are the theoretical breaking load. These are non-binding reference values without consideration of safety factors and exclude any liability. The values given are for information purposes only and do not constitute a legally binding assurance of properties.

The load values have been calculated in accordance with DIN 50141. Each user must determine individually whether the ball lock pin is suitable for the respective application.

Different materials in which the ball lock pins are used, weather conditions and wear can influence the determined values.

Accessory:

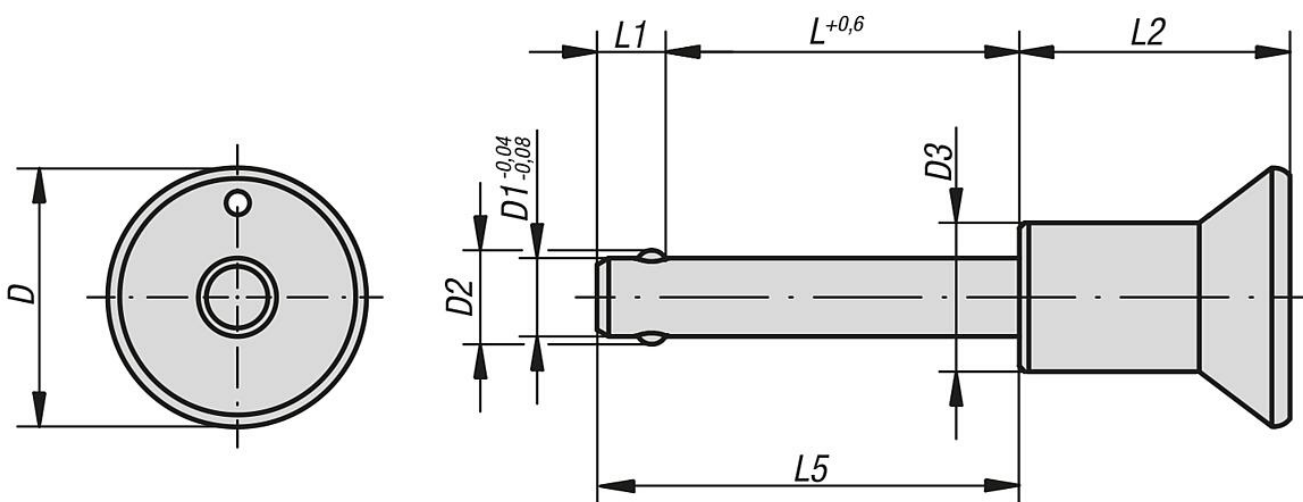
Safety spiral cable: 03199-10200

Retaining cable with loop: 03199-...

Key Ring 03199-15/19/23

Bushing for ball lock pins 03197....

Drawings



Overview of items

Order No.	D	D1	D2	D3	L	L1	L2	L5	Receiving hole H11	Shearing force double shear max.kN
03194-23CLL08	25	3/16	5,25	14	0,5	6	26,5	18,7	3/16	13
03194-23CLL12	25	3/16	5,25	14	0,75	6	26,5	25,05	3/16	13
03194-23CLL16	25	3/16	5,25	14	1,0	6	26,5	31,4	3/16	13
03194-23CLL20	25	3/16	5,25	14	1,25	6	26,5	37,75	3/16	13
03194-23CML08	25	1/4	7,2	14	0,5	6,9	26,5	19,6	1/4	24
03194-23CML12	25	1/4	7,2	14	0,75	6,9	26,5	25,95	1/4	24
03194-23CML16	25	1/4	7,2	14	1,0	6,9	26,5	32,3	1/4	24
03194-23CML20	25	1/4	7,2	14	1,25	6,9	26,5	38,65	1/4	24
03194-23CML24	25	1/4	7,2	14	1,5	6,9	26,5	45	1/4	24
03194-23CML28	25	1/4	7,2	14	1,75	6,9	26,5	51,35	1/4	24
03194-23CML32	25	1/4	7,2	14	2,0	6,9	26,5	57,7	1/4	24
03194-23CNL16	25	5/16	9,5	14	1,0	7,9	26,5	33,3	5/16	38
03194-23CNL20	25	5/16	9,5	14	1,25	7,9	26,5	39,65	5/16	38
03194-23CNL24	25	5/16	9,5	14	1,5	7,9	26,5	46	5/16	38
03194-23CNL28	25	5/16	9,5	14	1,75	7,9	26,5	52,35	5/16	38
03194-23CNL32	25	5/16	9,5	14	2,0	7,9	26,5	58,7	5/16	38
03194-31COL16	33	3/8	11,5	19	1,0	8,8	34,6	34,2	3/8	54
03194-31COL20	33	3/8	11,5	19	1,25	8,8	34,6	40,55	3/8	54
03194-31COL24	33	3/8	11,5	19	1,5	8,8	34,6	46,9	3/8	54
03194-31COL28	33	3/8	11,5	19	1,75	8,8	34,6	53,25	3/8	54
03194-31COL32	33	3/8	11,5	19	2,0	8,8	34,6	59,6	3/8	54
03194-31CUL16	33	7/16	13	19	1,0	9,7	34,6	35,1	7/16	74
03194-31CUL20	33	7/16	13	19	1,25	9,7	34,6	41,45	7/16	74
03194-31CUL24	33	7/16	13	19	1,5	9,7	34,6	47,8	7/16	74
03194-31CUL28	33	7/16	13	19	1,75	9,7	34,6	54,15	7/16	74
03194-31CUL32	33	7/16	13	19	2,0	9,7	34,6	60,5	7/16	74
03194-31CUL36	33	7/16	13	19	2,5	9,7	34,6	73,2	7/16	74
03194-31CUL40	33	7/16	13	19	3,0	9,7	34,6	85,9	7/16	74
03194-31CPL16	33	1/2	15	19	1,0	10	34,6	35,4	1/2	96
03194-31CPL20	33	1/2	15	19	1,25	10	34,6	41,75	1/2	96
03194-31CPL24	33	1/2	15	19	1,5	10	34,6	48,1	1/2	96
03194-31CPL28	33	1/2	15	19	1,75	10	34,6	54,45	1/2	96
03194-31CPL32	33	1/2	15	19	2,0	10	34,6	60,8	1/2	96
03194-31CPL36	33	1/2	15	19	2,5	10	34,6	73,5	1/2	96
03194-31CPL40	33	1/2	15	19	3,0	10	34,6	86,2	1/2	96
03194-31CQL16	33	5/8	19	20	1,0	13,3	34,6	38,7	5/8	150
03194-31CQL20	33	5/8	19	20	1,25	13,3	34,6	45,05	5/8	150
03194-31CQL24	33	5/8	19	20	1,5	13,3	34,6	51,4	5/8	150
03194-31CQL28	33	5/8	19	20	1,75	13,3	34,6	57,75	5/8	150
03194-31CQL32	33	5/8	19	20	2,0	13,3	34,6	64,1	5/8	150
03194-31CQL36	33	5/8	19	20	2,5	13,3	34,6	76,8	5/8	150
03194-31CQL40	33	5/8	19	20	3,0	13,3	34,6	89,5	5/8	150