

Item description/product images



Description

Material:

Quarter-turn lock 1.4401 stainless steel.
Tongue 1.4301 stainless steel.

Version:

Bright.

Note:

The secure quarter turn lock is shock and vibration-resistant acc. to DIN 43668 even under high pressing force due to a built-in restrictor element. Actuation without a suitable key is not possible. The key can be removed only in the locked position. quarter turn lock, pre-assembled. Right version = closes anti-clockwise. Left version = closes clockwise. Water and dust protected acc. to IP65 from DIN EN 60529.

Please order required tongue version separately. Every tongue can be combined with every housing.

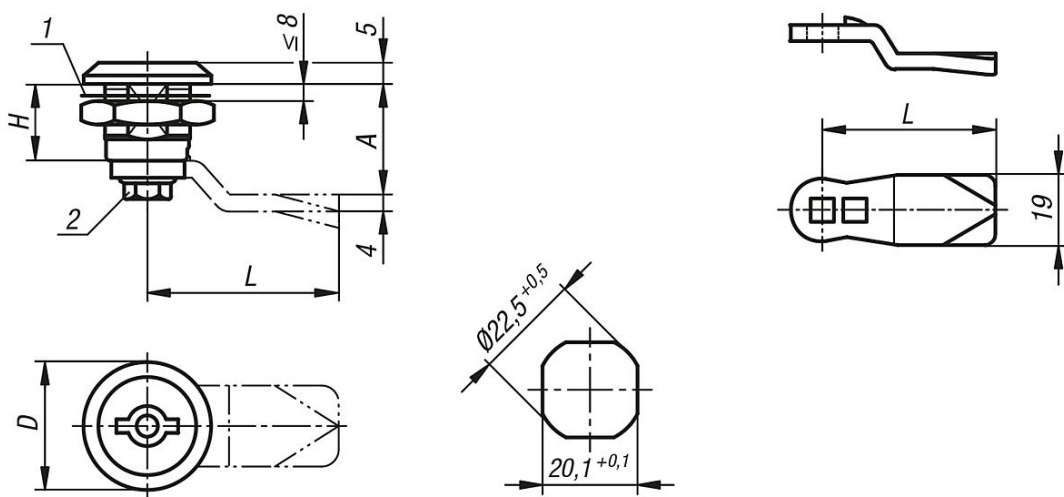
Accessory:

Key 05586
Tongue for stainless steel quarter-turn lock 05566-07.

Drawing reference:

- 1) flat seal
- 2) self-locking screw

Drawings



Overview of items

Quarter-turn security locks, stainless steel

Order No.	Version 1	Actuation	D	H
05578-02-14518	right	double lug 5 mm	30	18
05578-02-24518	left	double lug 5 mm	30	18

Tongue for quarter-turn locks

Overview of items

Order No.	A	L
05566-07-45060	6	45
05566-07-45080	8	45
05566-07-45100	10	45
05566-07-45140	14	45
05566-07-45160	16	45
05566-07-45180	18	45
05566-07-45200	20	45
05566-07-45220	22	45
05566-07-45240	24	45
05566-07-45260	26	45
05566-07-45280	28	45
05566-07-45320	32	45
05566-07-45500	50	45