

Item description/product images



Description

Material:

Hinge stainless steel 1.4401.
Pin stainless steel 1.4104.

Version:

High-gloss polished.

Note:

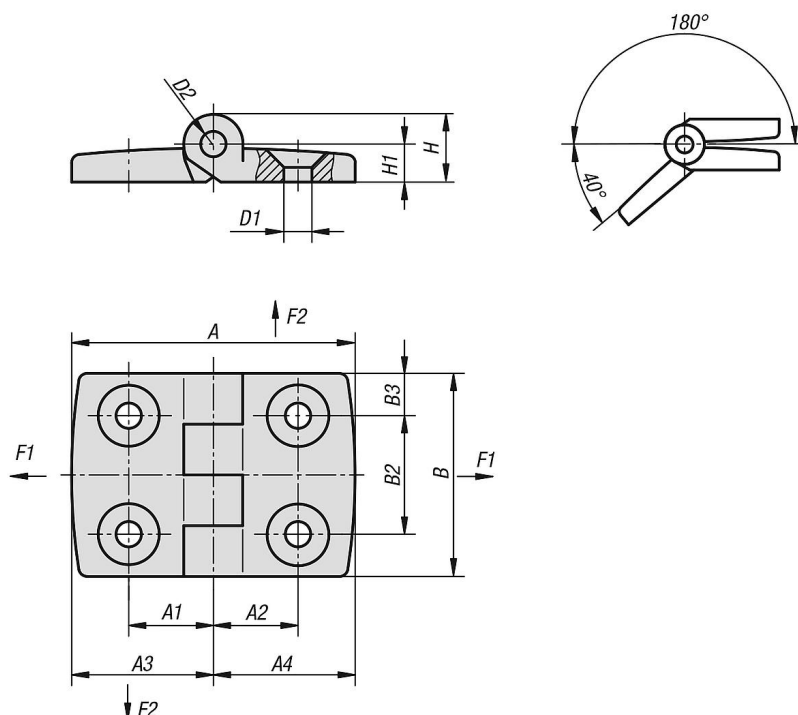
Hinge for panel elements and aluminium profiles, non lift-off. Pin end closed. Screws countersunk, thus minimum dirt accumulation.

The loading values given for the hinges are non-binding reference values without consideration of safety factors and exclude any liability. The values given are for information purposes only and do not constitute a legally binding assurance of properties.

The load values have been determined under laboratory conditions. Each user must determine individually whether the hinge is suitable for the respective application.

Different materials onto which the hinges are installed and the type of mounting, weather conditions and wear can influence the determined values.

Drawings



Overview of items

Order No.	A	A1	A2	A3	A4	B	B2	B3	D1	D2	H	H1	F1 N	F2 N
27875-01-04191212	38	11,5	11,5	19	19	30	14	8	4,5	3	9,5	5,5	700	450

