

Item description/product images



Description

Material:
Polyamide fibreglass reinforced.

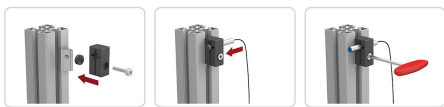
Version:
Black.

Note:
For fastening sensors and limit switches to aluminium profiles or panel elements.

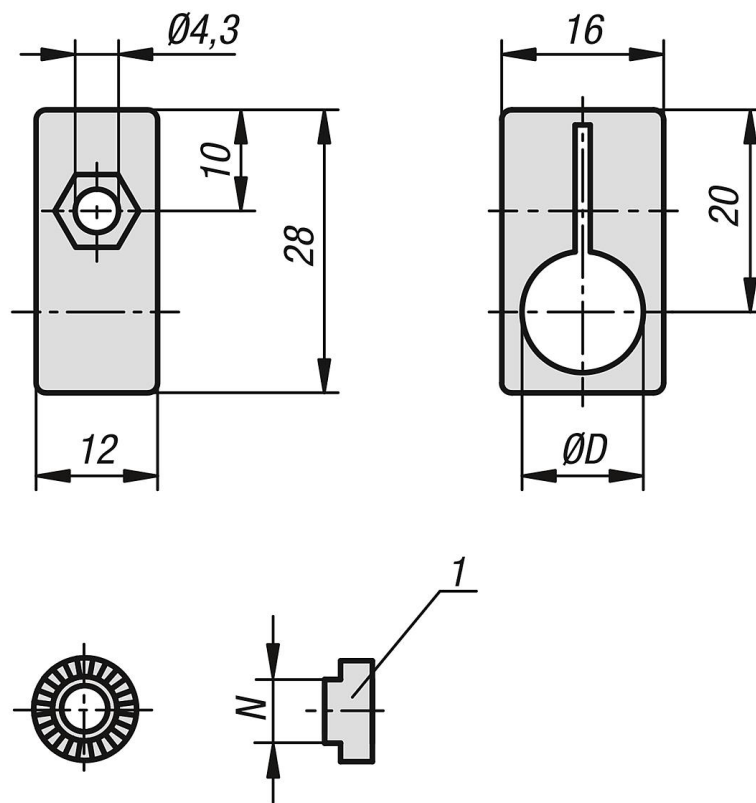
Fastening pieces are available for various aluminium profile slot sizes. The fastening piece provides a positive rotation lock and can be adjusted in 15 increments. With no fastening piece the sensor holder can be infinitely adjusted in the angle.

Drawing reference:

1) Fastening piece



Drawings



Overview of items

Order No.	Item	D	N
10460-080	Sensor Holder	8	-
10460-120	Sensor Holder	12	-
10460-905	Fastening Piece	-	5

Overview of items

Order No.	Item	D	N
10460-906	Fastening Piece	-	6
10460-908	Fastening Piece	-	8
10460-910	Fastening Piece	-	10