

Item description/product images

**Description****Material:**

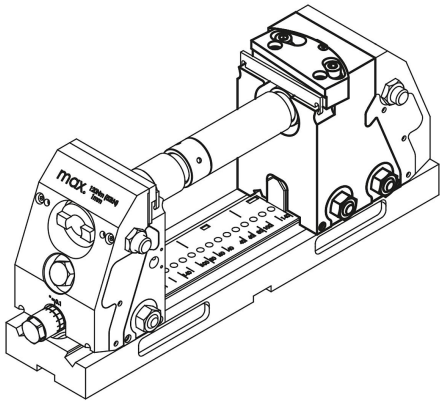
Body mild steel.
Jaw plates tool steel.

Version:

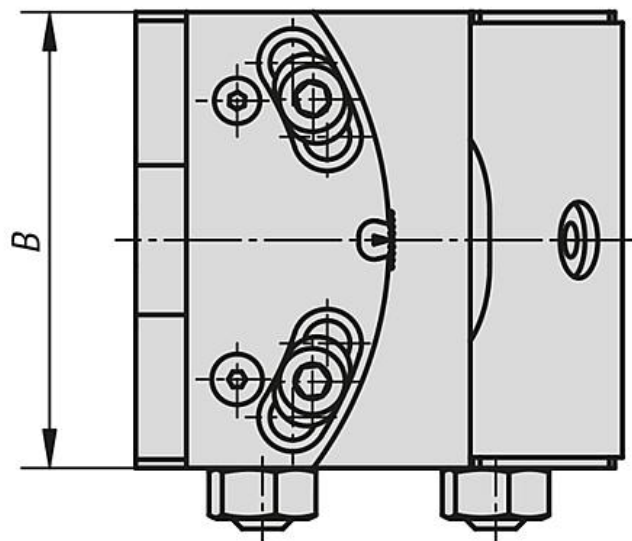
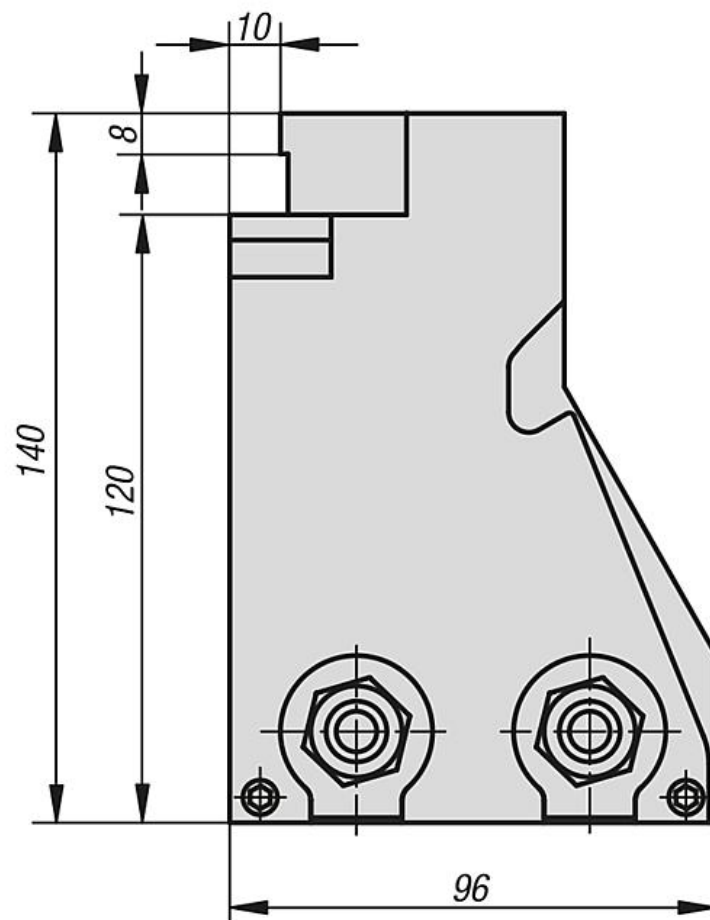
Body black oxidised.
Vice jaws hardened, bright.

Note:

Pendulum jaws are used to hold oblique workpieces.
The jaw plates of the pendulum jaws can be swivelled by $\pm 4^\circ$.
Pendulum jaws can also be used as fixed jaws.
Rigid design with 2 fastening screws.



Drawings



Overview of items

Overview of items

Pendulum jaws, 5-axis-clamping-system compact

Order No.	B	weight kg
41325-09015010	90	6
41325-12515010	125	8,77