

Item description/product images



Description

Material:

GJL 300.

Version:

Reference surfaces precision machined.

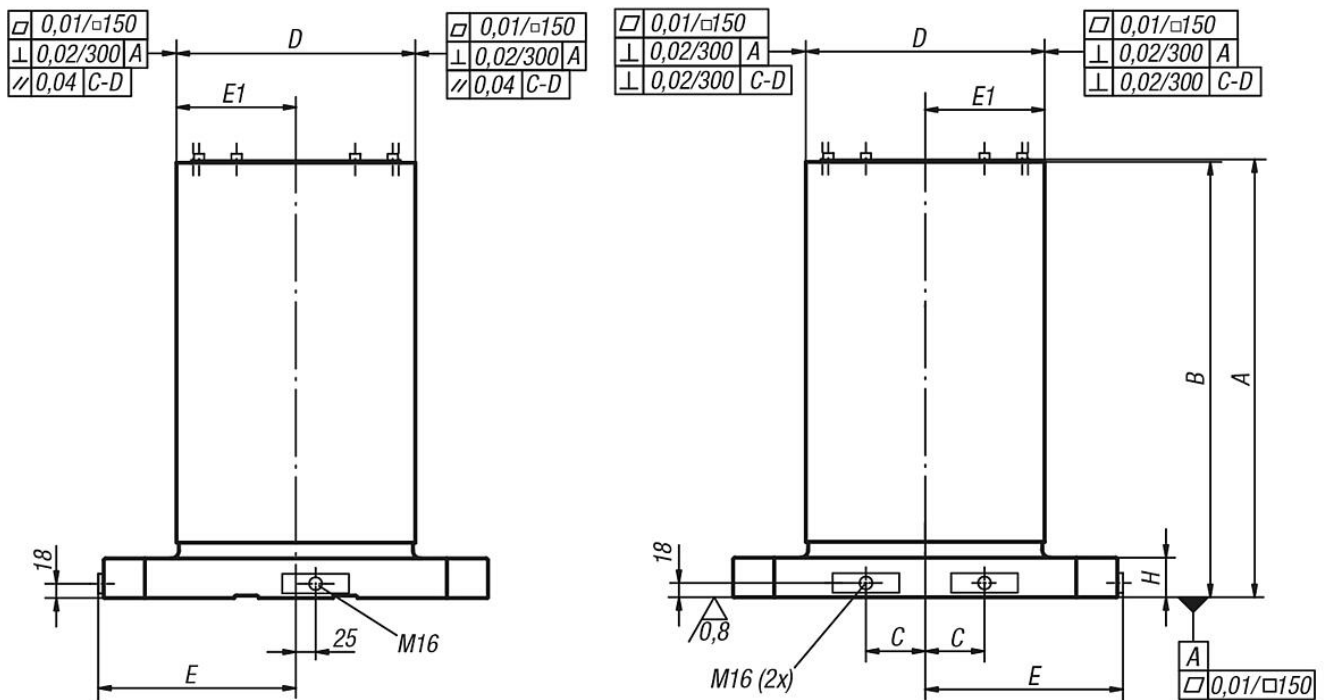
The clamping surfaces have 0.5 mm allowance.

Note:

The cube tombstones are matched to subplates for machine tools acc. to DIN 55201 and JIS 6337-1980.

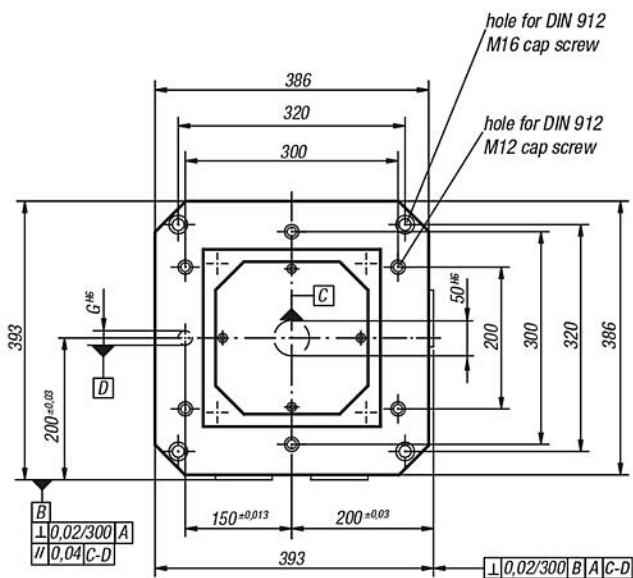
Ring bolts for lifting are supplied. A cover prevents the cavities filling with swarf.

Drawings

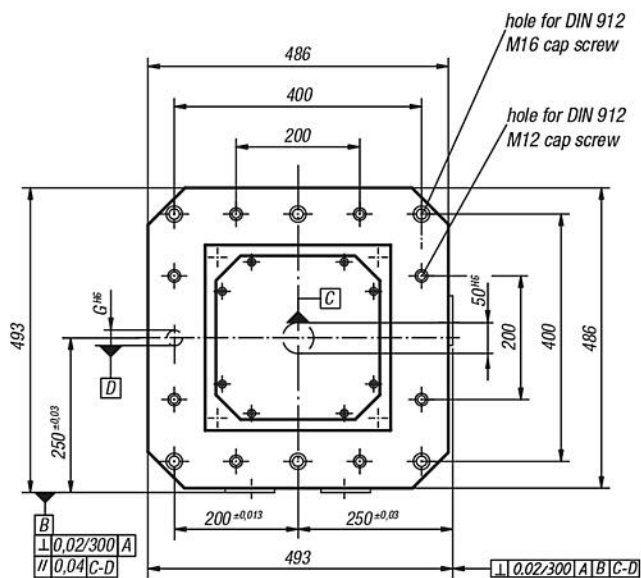


Drawings

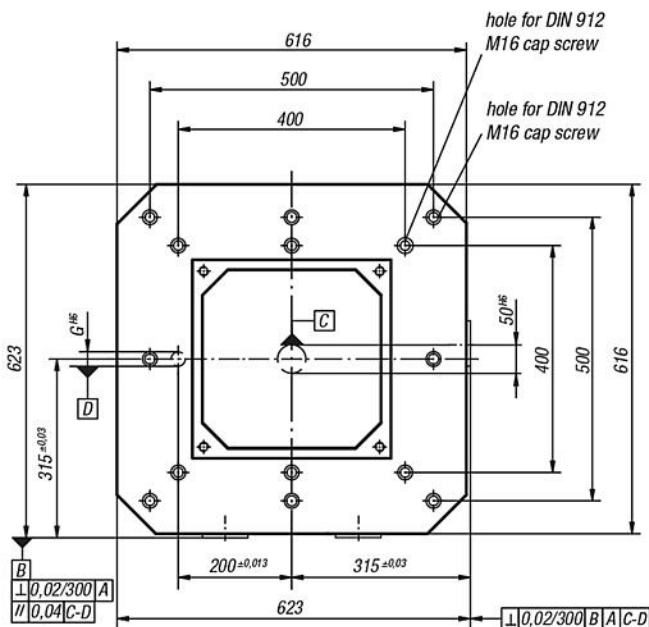
01850-1240251



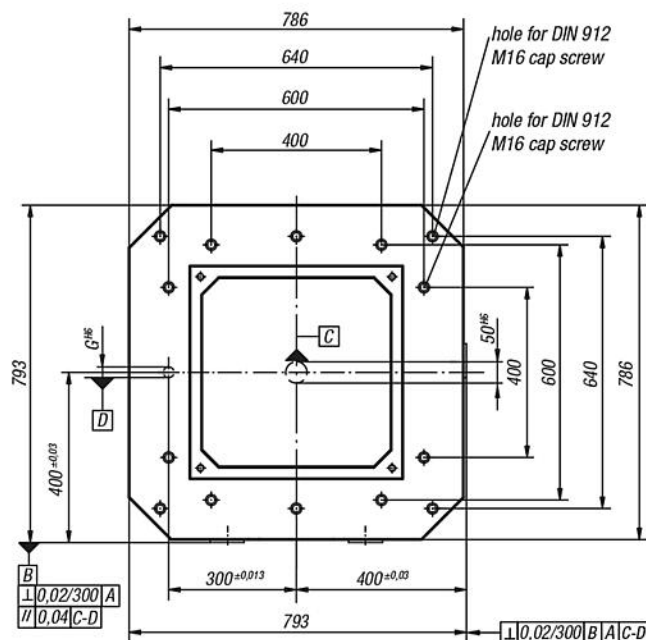
01850-1250301
01850-1650301



01850-126335
01850-166335



01850-168050



Overview of items

