

Item description/product images



Description

Material:

Steel parts grade 5.8.

Ball knob black thermoset PF 31

Version:

Black oxidised.

Note:

Flat tension levers can be used for simple clamping or control operations. Where applicable, there must be enough space available so that the grip can be rotated 360°.

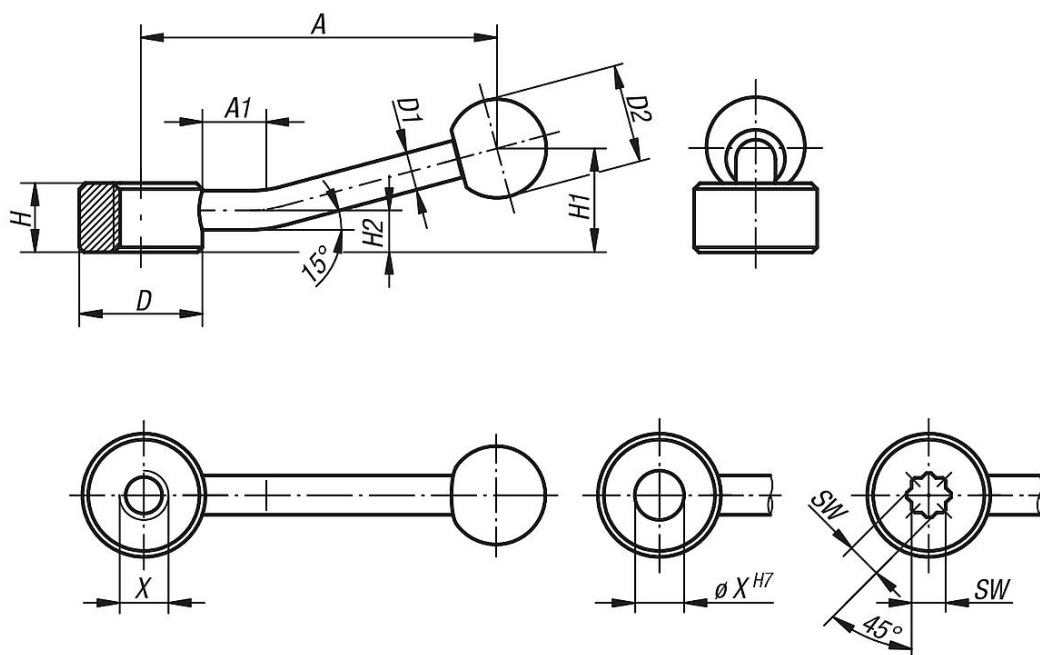
The version with star socket is designed to allow a 45° change of position.

On request:

Other female threads, reamed holes and star sockets.

Dimension "A" available in other lengths at extra charge.

Drawings



Overview of items

Order No.	Kind of fastening	X	A=Handle length	A1	D	D1	D2	H	H1	H2
06342-206	internal thread	M6	75	15	25	8	20	14	22	8,5
06342-208	internal thread	M8	75	15	25	8	20	14	22	8,5
06342-210	internal thread	M10	75	15	25	8	20	14	22	8,5
06342-212	internal thread	M12	100	15	33	10	25	17	27	10
06342-216	internal thread	M16	100	15	33	10	25	17	27	10
06342-220	internal thread	M20	128	15	41	12	30	20	36	11,5
06342-224	internal thread	M24	128	15	41	12	30	20	36	11,5

Order No.	Kind of fastening	X	A=Handle length	A1	D	D1	D2	H	H1	H2
06342-106	reamed hole	6	75	15	25	8	20	14	22	8,5

Overview of items

Order No.	Kind of fastening	X	A=Handle length	A1	D	D1	D2	H	H1	H2
06342-108	reamed hole	8	75	15	25	8	20	14	22	8,5
06342-110	reamed hole	10	75	15	25	8	20	14	22	8,5
06342-112	reamed hole	12	100	15	33	10	25	17	27	10
06342-116	reamed hole	16	100	15	33	10	25	17	27	10
06342-120	reamed hole	20	128	15	41	12	30	20	36	11,5
06342-124	reamed hole	24	128	15	41	12	30	20	36	11,5

Order No.	Kind of fastening	SW	A=Handle length	A1	D	D1	D2	H	H1	H2
06342-305	star socket	5,5	75	15	25	8	20	14	22	8,5
06342-307	star socket	7	75	15	25	8	20	14	22	8,5
06342-309	star socket	9	100	15	33	10	25	17	27	10
06342-311	star socket	11	100	15	33	10	25	17	27	10
06342-314	star socket	14	128	15	41	12	30	20	36	11,5
06342-319	star socket	19	128	15	41	12	30	20	36	11,5