

Item description/product images



Description

Material:

Steel parts grade 5.8.
Ball knob black plastic.

Version:

Black oxidised.

Note:

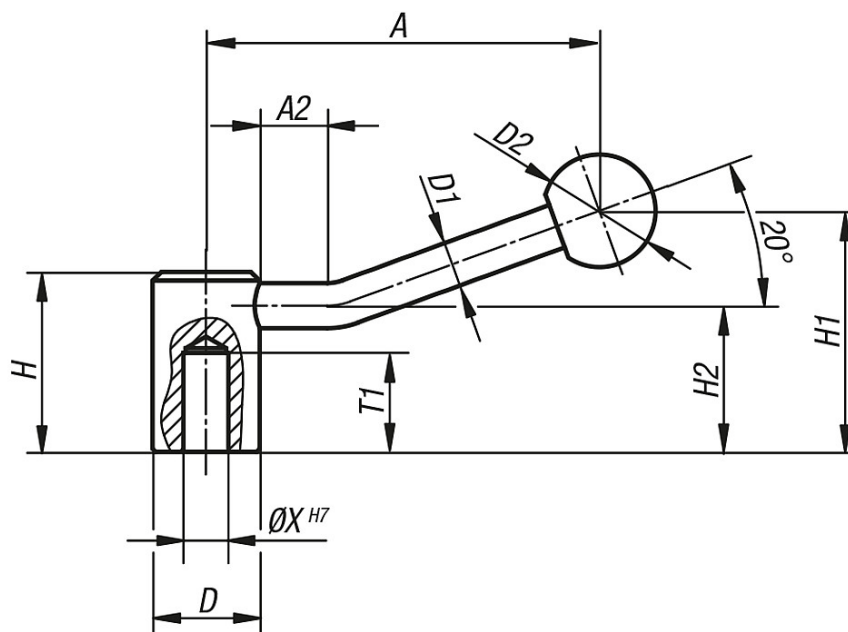
Tension levers can be used for simple clamping or control operations.
Where applicable, there must be enough space available so that the grip can be rotated 360°.

On request:

Other internal threads, reamed holes and special versions.
Dimension "A" available in other lengths at extra charge.

Drawings

reamed hole



Overview of items

Order No.	Version	Size	X	T1	D	D1	D2	H	H1	H2	A	A2
06340-108	reamed hole	1	8	22	24	10	25	40	52,5	32,5	84,5	15
06340-110	reamed hole	1	10	22	24	10	25	40	52,5	32,5	84,5	15
06340-112	reamed hole	2	12	25	28	12	32	46	61	36,5	100	15
06340-114	reamed hole	2	14	25	28	12	32	46	61	36,5	100	15
06340-116	reamed hole	3	16	28	33	13	32	52	72	41	121	15
06340-118	reamed hole	3	18	28	33	13	32	52	72	41	121	15
06340-120	reamed hole	4	20	32	41	13	32	61	80	49	123	15

