

Item description/product images



Description

Material:

Crank aluminium.
Cylinder grip thermoplastic and steel.

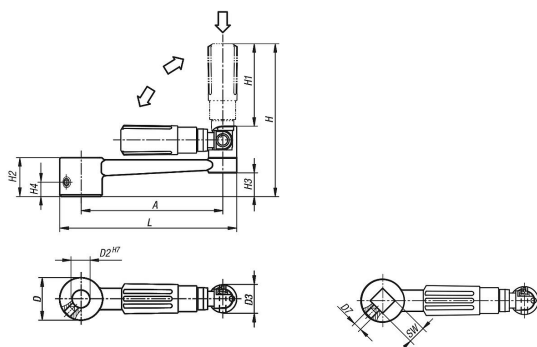
Version:

Crank black powder-coated.
Thermoplastic black grey.
Steel parts black oxidised.

Note:

Similar to DIN 469.
Versions with transverse bore are secured using the ISO 4027 (DIN 914) grub screw.

Drawings



Overview of items

Order No.	Version 1	Version 2	A	D	D2	D3	D7	H	H1	H2	H3	H4	L
06504-1110	reamed hole	without transverse hole	80	24	10	16	-	87,5	47,5	22	13,6	-	100
06504-1212	reamed hole	without transverse hole	100	28	12	20	-	107	58,5	25	16	-	124
06504-1314	reamed hole	without transverse hole	125	30	14	25	-	139	82	28	15,8	-	153
06504-1417	reamed hole	without transverse hole	160	34	17	25	-	143	82	32	19,6	-	190

Overview of items

Order No.	Version 1	Version 2	A	D	D2	D3	D7	H	H1	H2	H3	H4	L
06504-11106	reamed hole	security	80	24	10	16	M6	87,5	47,5	22	13,4	7,5	100
06504-12126	reamed hole	security	100	28	12	20	M6	106,9	58,4	26	16	7,5	124
06504-13146	reamed hole	security	125	30	14	26	M6	139,1	82,1	28	15,8	7,5	153
06504-14176	reamed hole	security	160	34	17	26	M6	143,1	82,1	32	19,6	7,5	190

Order No.	Version 1	Version 2	A	D	D3	D7	H	H1	H2	H3	H4	L	SW
06504-21110	square socket	without transverse hole	80	24	16	-	87,5	47,5	22	13,6	-	100	10
06504-22126	square socket	without transverse hole	100	28	20	-	107	58,5	25	16	-	124	12
06504-23146	square socket	without transverse hole	125	30	25	-	139	82	28	15,8	-	153	14
06504-24176	square socket	without transverse hole	160	34	25	-	143	82	32	19,6	-	190	17
06504-21106	square socket	security	80	24	16	M6	87,5	47,5	22	13,4	7,5	100	10
06504-22126	square socket	security	100	28	20	M6	106,9	58,4	26	16	7,5	124	12
06504-23146	square socket	security	125	30	26	M6	139,1	82,1	28	15,8	7,5	153	14
06504-24176	square socket	security	160	34	26	M6	143,1	82,1	32	19,6	7,5	190	17