

## Item description/product images



lift to  
disengage

**Description****Material:**

Handle die-cast zinc DIN EN 12844.  
Steel parts grade 5.8.

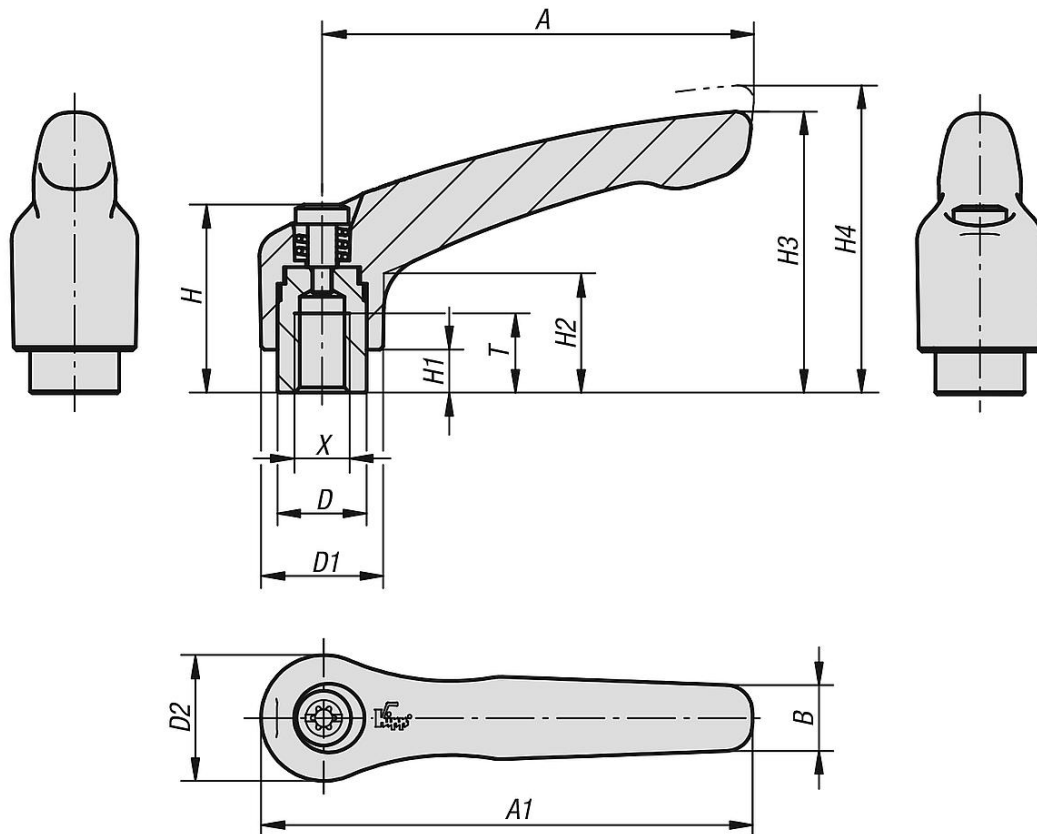
**Version:**

Handle powder-coated.  
Steel parts black oxidised.

**On request:**

Other threads, colours and special versions.  
Dimension "H1" available in other lengths at extra charge.

Drawings



Overview of items

Order No.	Main colour	Surface finish body	Size	X	T	D	D1	D2	H	H1	H2	H3	H4	A	A1	B	No. of teeth
06450-003008	-	bright	0	M3	9	10	13	14	24,5	4	14,5	30	33	30	37	7	16
06450-004008	-	bright	0	M4	9	10	13	14	24,5	4	14,5	30	33	30	37	7	16
06450-005008	-	bright	0	M5	9	10	13	14	24,5	4	14,5	30	33	30	37	7	16
06450-104008	-	bright	1	M4	9	10	13	14	24,5	4	14,5	31	34	40	47	7	16
06450-105008	-	bright	1	M5	9	10	13	14	24,5	4	14,5	31	34	40	47	7	16
06450-106008	-	bright	1	M6	9	10	13	14	24,5	4	14,5	31	34	40	47	7	16
06450-206008	-	bright	2	M6	12	13,5	18,5	19	28,5	6,5	17,5	42,5	45,5	65	74,5	9,5	20
06450-208008	-	bright	2	M8	12	13,5	18,5	19	28,5	6,5	17,5	42,5	45,5	65	74,5	9,5	20
06450-308008	-	bright	3	M8	14	16	21	22	37	10	24	54,5	58,5	80	91	11	22
06450-310008	-	bright	3	M10	14	16	21	22	37	10	24	54,5	58,5	80	91	11	22
06450-410008	-	bright	4	M10	17	19	27	27,5	43	10	27	63	67,5	95	109	13	24
06450-412008	-	bright	4	M12	17	19	27	27,5	43	10	27	63	67,5	95	109	13	24
06450-512008	-	bright	5	M12	23	23	31	32	49	12	31,5	73	77,5	110	126	15	26
06450-516008	-	bright	5	M16	23	23	31	32	49	12	31,5	73	77,5	110	126	15	26