

Item description/product images



Description

Material:

Carbon steel.

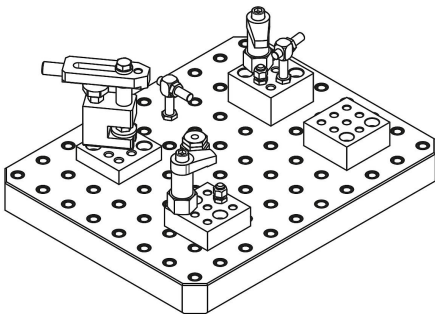
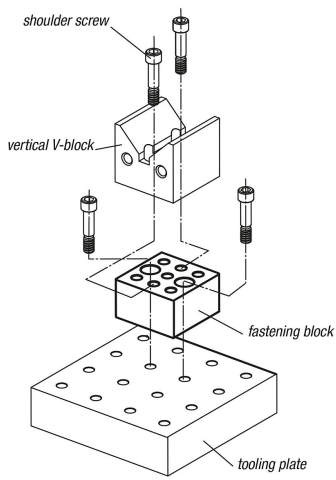
Version:

Black oxidised.

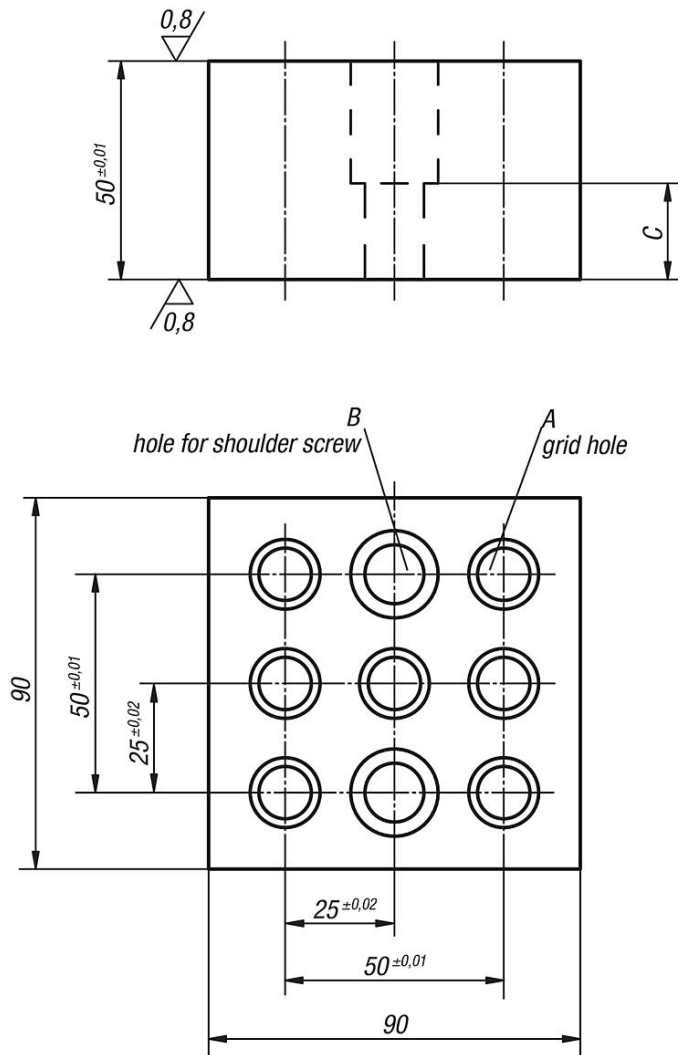
Contact faces ground.

Note:

Fastening blocks are used as riser elements in all system elements that have no movable support and contact faces. These include e.g. locating supports 02394, vertical prisms 02388-05-600. They also offer the possibility to position and secure elements within a 50 ± 0.01 mm grid (see application example).



Drawings



Overview of items

Order No.	A locating hole	A thread	B Ø for shoulder screw	C	No. of grid holes	No. of mounting holes	Suitable shoulder screw	weight kg
01247-05-12112050	12 F7	M12	12 F7	22	7	2	07533-112055	2,693
01247-05-12116050	16 F7	M16	16 F7	26	7	2	07533-116055	2,38