

## Item description/product images

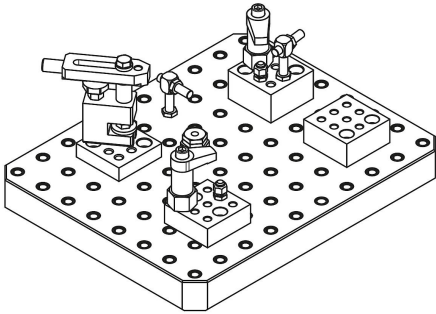


## Description

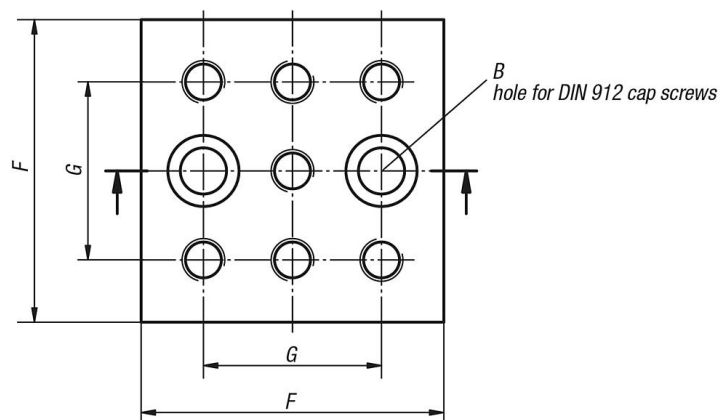
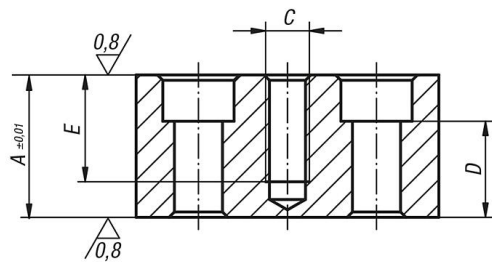
**Material:**  
Carbon steel.

**Version:**  
Black oxidised.  
Contact faces ground.

**Note:**  
Riser blocks are used to achieve a certain support height. The additional tapped holes in the risers are for mounting further fixture elements.



## Drawings



## Overview of items

Order No.	A	B hole for DIN 912 screw	C	D	E	F	G	weight kg
01247-05-14112025	25	M12	M12	12	25	85	50	1,199
01247-05-14112032	32	M12	M12	19	32	85	50	1,535
01247-05-14112040	40	M12	M12	27	30	85	50	1,955
01247-05-14112050	50	M12	M12	37	30	85	50	2,43
01247-05-14116025	25	M16	M16	8	25	85	50	1,007
01247-05-14116032	32	M16	M16	15	32	85	50	1,31
01247-05-14116040	40	M16	M16	23	35	85	50	1,648
01247-05-14116050	50	M16	M16	33	35	85	50	2,104