

Item description/product images



Description

Material:

Thermoset PF 31, black.
Hubs and steel parts of grip nickel-plated steel or bright 1.4305 stainless steel.

Version:

High-gloss polished.

Note:

The handwheel is supplied with the grip loose.

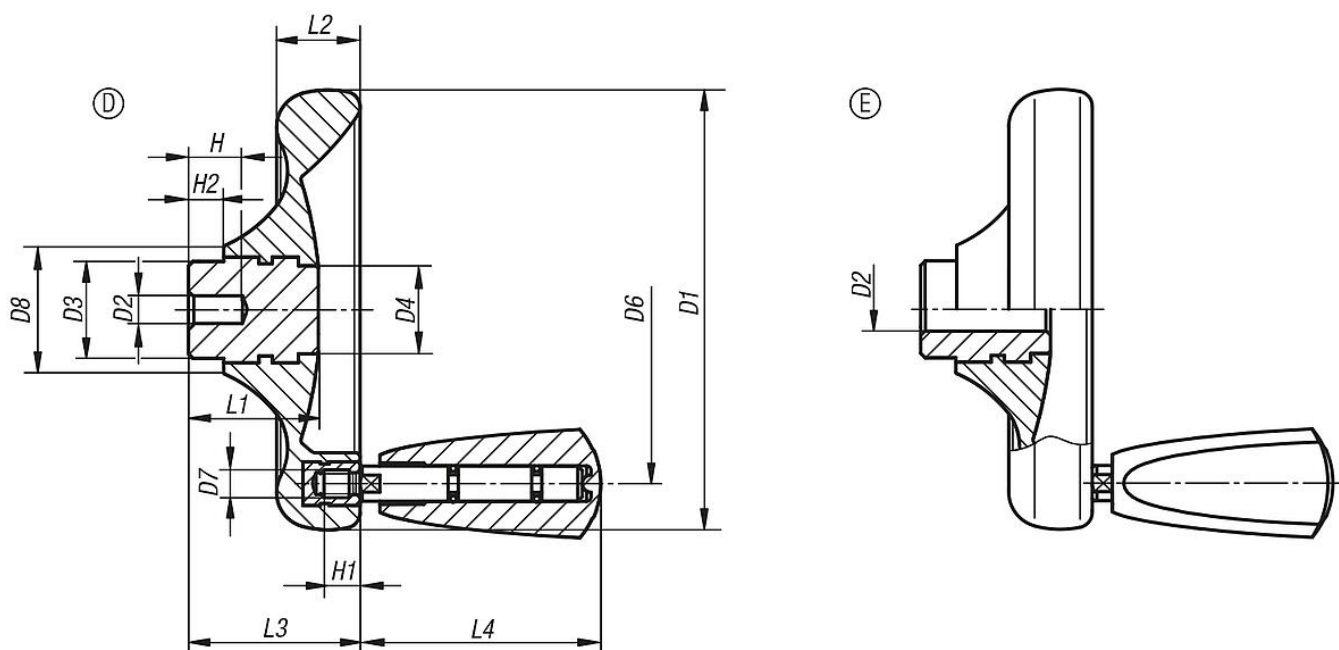
On request:

Other reamed hole sizes.

Drawing reference:

Form D: pilot hole
Form E: reamed hole

Drawings



Overview of items

Disc Handwheels, with revolving taper grip, inch

Order No.	Form	Form definition	Steel parts material	D1	D2	D3	D4	D6	D7	H1	H2	L1	L2	L3	L4
06287-1100XCM	E	with reamed hole	steel	100	0,25	22	20	79	M6	9	8	29,5	19	39	54,7
06287-1125XCO	E	with reamed hole	steel	125	0,375	26	21	101	M6	9	8	34	24	46	54,7
06287-1140XCP	E	with reamed hole	steel	140	0,5	30	25	110	M8	12	8	38,5	27	52	82,2
06287-1160XCQ	E	with reamed hole	steel	160	0,625	33	30	128	M8	12	8	41,3	30,1	57	82,2
06287-1160XCR	E	with reamed hole	steel	160	0,75	33	30	128	M8	12	8	41,3	30,1	57	82,2

Disc Handwheels, with revolving taper grip, steel parts in stainless steel, inch

Overview of items

Order No.	Form	Form definition	Steel parts material	D1	D2	D3	D4	D6	D7	H1	H2	L1	L2	L3	L4
06287-3100XCM	E	with reamed hole	stainless steel 1.4305	100	0,25	22	20	79	M6	9	8	29,5	19	39	54,7
06287-3125XCO	E	with reamed hole	stainless steel 1.4305	125	0,375	26	21	101	M6	9	8	34	24	46	54,7
06287-3140XCP	E	with reamed hole	stainless steel 1.4305	140	0,5	30	25	110	M8	12	8	38,5	27	52	82,2
06287-3160XCQ	E	with reamed hole	stainless steel 1.4305	160	0,625	33	30	128	M8	12	8	41,3	30,1	57	82,2
06287-3160XCR	E	with reamed hole	stainless steel 1.4305	160	0,75	33	30	128	M8	12	8	41,3	30,1	57	82,2