

Item description/product images



Description

Material:

Disc handwheel aluminium.
Cylinder grip black thermoset PF 31-DIN 7708.
Hub electro zinc-plated steel.

Version:

Wheel rim turned and polished.

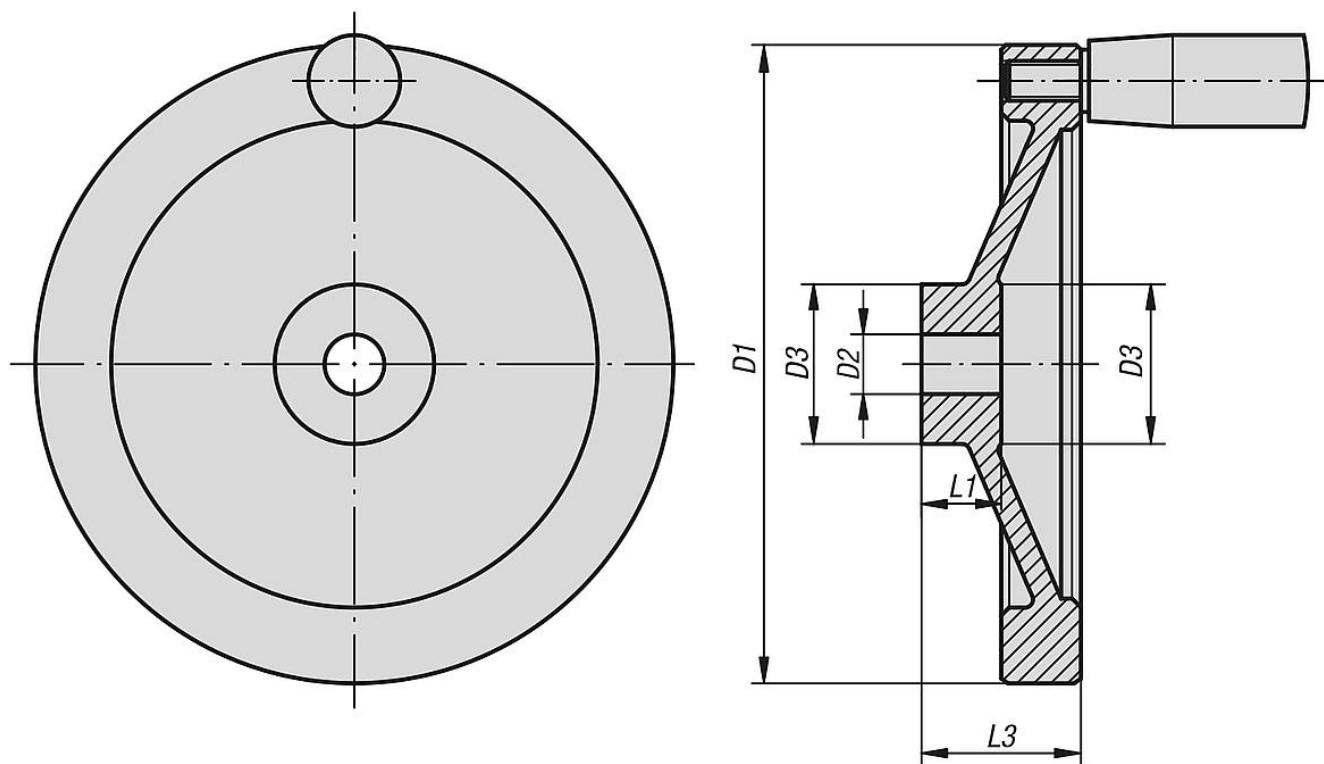
Note:

For the inch series, dimension D2 is in inches, all other dimensions are in mm.

On request:

Hubs with square socket or powder-coated handwheels.

Drawings



Overview of items

Disc Handwheels aluminum, flat rim, without handle, inch

Order No.	D1	D2	D3	L1	L3
06275-0080XCN	80	0,312	26	16	31
06275-0080XCO	80	0,375	26	16	31
06275-0100XCO	100	0,375	31	17	34
06275-0100XCP	100	0,5	31	17	34
06275-0125XCO	125	0,375	30	18	37
06275-0125XCP	125	0,5	30	18	37
06275-0140XCP	140	0,5	34	19	34
06275-0140XCQ	140	0,625	34	19	34

Overview of items

Order No.	D1	D2	D3	L1	L3
06275-0160XCP	160	0,5	40	20	40
06275-0160XCQ	160	0,625	40	20	40
06275-0200XCR	200	0,625	50	24	46
06275-0200XCR	200	0,75	50	24	46
06275-0250XCR	250	0,75	50	28	49
06275-0250XCV	250	0,875	50	28	49

Disc Handwheels aluminum, flat rim, with fixed handle, inch

Order No.	D1	D2	D3	L1	L3	Fixed cylinder grip
06275-2080XCN	80	0,312	26	16	31	ø18 x M6 x 40
06275-2080XCO	80	0,375	26	16	31	ø18 x M6 x 40
06275-2100XCO	100	0,375	31	17	34	ø18 x M6 x 40
06275-2100XCP	100	0,5	31	17	34	ø18 x M6 x 40
06275-2125XCO	125	0,375	30	18	37	ø21 x M8 x 50
06275-2125XCP	125	0,5	30	18	37	ø21 x M8 x 50
06275-2140XCP	140	0,5	34	19	34	ø21 x M8 x 50
06275-2140XCQ	140	0,625	34	19	34	ø21 x M8 x 50
06275-2160XCP	160	0,5	40	20	40	ø26 x M10 x 80
06275-2160XCQ	160	0,625	40	20	40	ø26 x M10 x 80
06275-2200XCQ	200	0,625	50	24	46	ø26 x M10 x 80
06275-2200XCR	200	0,75	50	24	46	ø26 x M10 x 80
06275-2250XCR	250	0,75	50	28	49	ø28 x M12 x 90
06275-2250XCV	250	0,875	50	28	49	ø28 x M12 x 90

Disc Handwheels aluminum, flat rim, with revolving handle, inch

Order No.	D1	D2	D3	L1	L3	Revolving cylinder grip
06275-4080XCN	80	0,312	26	16	31	ø18 x M6 x 40
06275-4080XCO	80	0,375	26	16	31	ø18 x M6 x 40
06275-4100XCO	100	0,375	31	17	34	ø18 x M6 x 40
06275-4100XCP	100	0,5	31	17	34	ø18 x M6 x 40
06275-4125XCO	125	0,375	30	18	37	ø22 x M8 x 56
06275-4125XCP	125	0,5	30	18	37	ø22 x M8 x 56
06275-4140XCP	140	0,5	34	19	34	ø22 x M8 x 56
06275-4140XCQ	140	0,625	34	19	34	ø22 x M8 x 56
06275-4160XCP	160	0,5	40	20	40	ø26 x M10 x 80
06275-4160XCQ	160	0,625	40	20	40	ø26 x M10 x 80
06275-4200XCQ	200	0,625	50	24	46	ø26 x M10 x 80
06275-4200XCR	200	0,75	50	24	46	ø26 x M10 x 80
06275-4250XCR	250	0,75	50	28	49	ø31 x M12 x 102
06275-4250XCV	250	0,875	50	28	49	ø31 x M12 x 102