

## Item description/product images

INCH  
Parts

## Description

**Material:**

Black thermoplastic.

Bush and screw 5.8 steel or 1.4305 stainless steel.

**Version:**

Steel trivalent blue passivated, stainless steel bright.

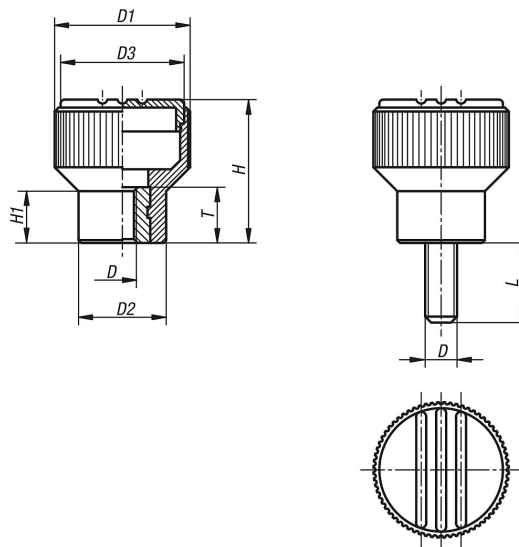
**Note:**

For the inch series, dimension D is in inches, all other dimensions are in mm.

## Item description/product images



## Drawings



## Overview of items

## Knurled Knobs, internal thread, inch

Order No. steel	Order No. stainless steel	D	D1	D2	D3	H	H1	T
06092-1AEΔ	06092-01AEΔ	8-32	21	14	19	22	8	10
06092-1A1Δ	06092-01A1Δ	10-32	21	14	19	22	8	10
06092-1A2Δ	06092-01A2Δ	1/4-20	21	14	19	22	8	10
06092-2A3Δ	06092-02A3Δ	5/16-18	26	18	23	26	9,5	14
06092-3A3Δ	06092-03A3Δ	5/16-18	34	22	31	36	13	14
06092-3A4Δ	06092-03A4Δ	3/8-16	34	22	31	36	13	14

## Knurled Knobs, external thread, inch

Order No. steel	Order No. stainless steel	D	D1	D2	D3	H	H1	L
06092-1A1ΔX	06092-01A1ΔX	10-32	21	14	19	22	8	10/20
06092-1A2ΔX	06092-01A2ΔX	1/4-20	21	14	19	22	8	20/30
06092-2A3ΔX	06092-02A3ΔX	5/16-18	26	18	23	26	9,5	20/40
06092-3A4ΔX	06092-03A4ΔX	3/8-16	34	22	31	36	13	20/40

