

Item description/product images

**Description****Product description:**

Cylindrical grips are supplied assembled and can be screwed onto handwheels, crank handles, etc.

The grooves and conical shape ensure that the cylindrical grips have optimised haptics and good grip.

The fold-down grip prevents protruding edges, which also minimises the risk of injury.

Material:

Grip, thermoplastic.

Centre pin, steel.

Version:

Grip, black.

Steel parts, black oxidised.

Note:

The hole D3 is used for positioning.

Advantages:

Optimised haptics and good grip

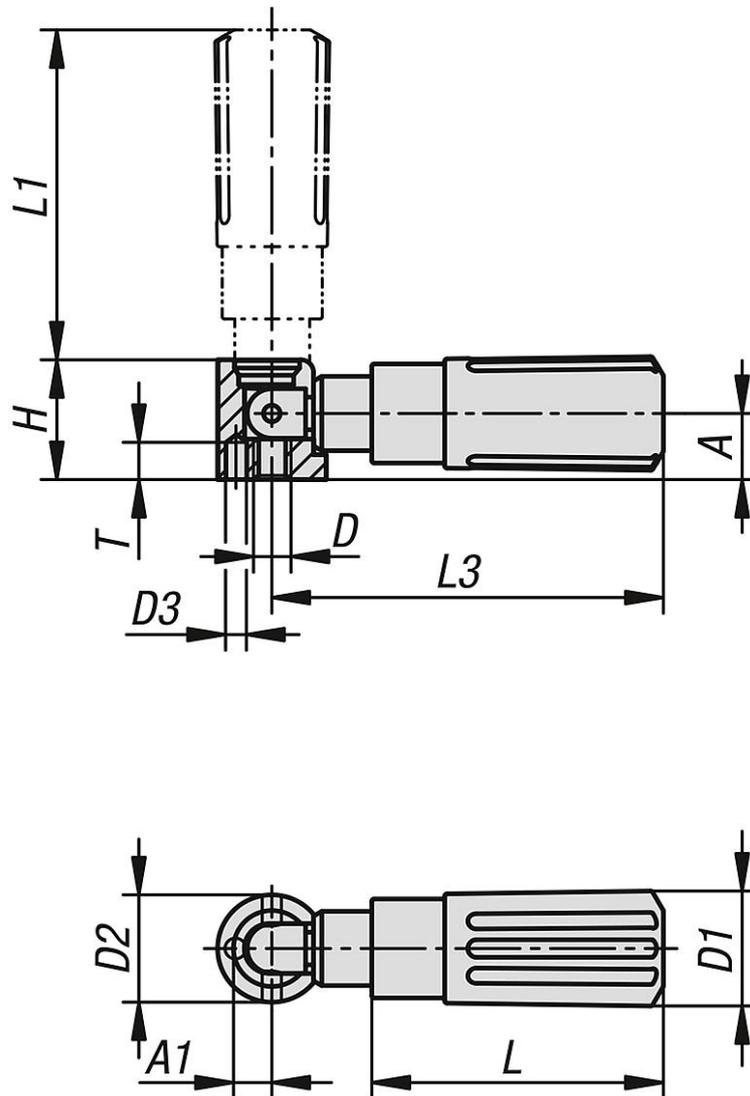
Protruding edges prevented

Grips for handwheels and cranks

Various thread sizes

NOVO grip KIPP design

Drawings



Overview of items

Cylindrical grips, plastic fold-down

Order No.	Component material	Size	A	A1	D	D1	D2	D3	H	L	L1	L3	T
06326-01-1AE	steel	1	8	4,3	8-32	14	13	2,5	14,5	35	40	47	4,5
06326-01-2A1	steel	2	10	5,3	10-32	16	16	3,5	18	44	49	58	4,5
06326-01-3A2	steel	3	12,5	6,5	1/4-20	20	20	4,5	22,5	55	59,5	71,5	6
06326-01-4A3	steel	4	16	9	5/16-18	25	26	5,5	29	70	83	98	6,5