

Item description/product images

INCH
Parts



Description

Material:

Thermoset PF 31, black.

Centre pin nickel-plated steel or bright 1.4305 stainless steel.

Snap ring 1.4310 stainless steel.

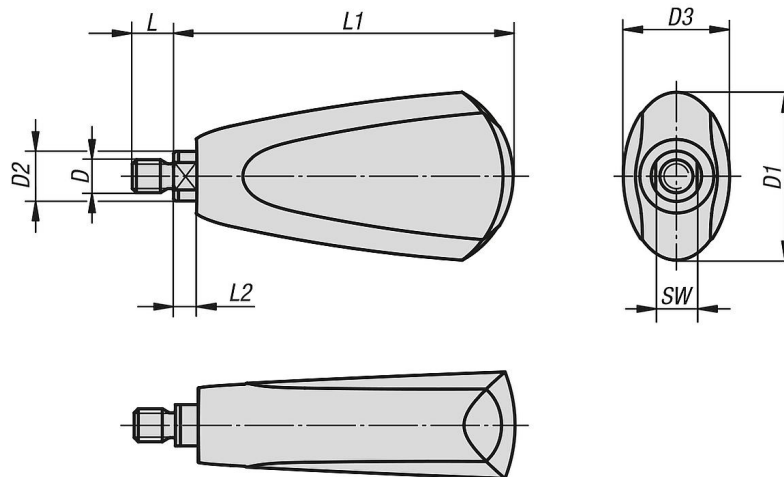
Version:

High-gloss polished.

Note:

The grips are suitable for disc handwheels with revolving taper grip 06287.

Drawings



Overview of items

Order No.	Component material	D	D1	D2	D3	L	L1	L2	SW
06316-1A2009	steel	1/4-20	25	8	18	9	54,7	4,5	7
06316-2A3010	steel	5/16-18	41	12	26	10	82,2	5,5	10
06316-11A2009	stainless steel	1/4-20	25	8	18	9	54,7	4,5	7
06316-12A3010	stainless steel	5/16-18	41	12	26	10	82,2	5,5	10