

Item description/product images

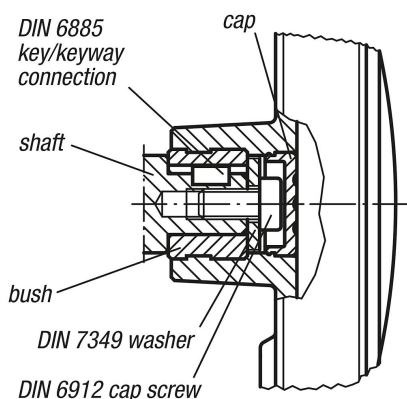


Description

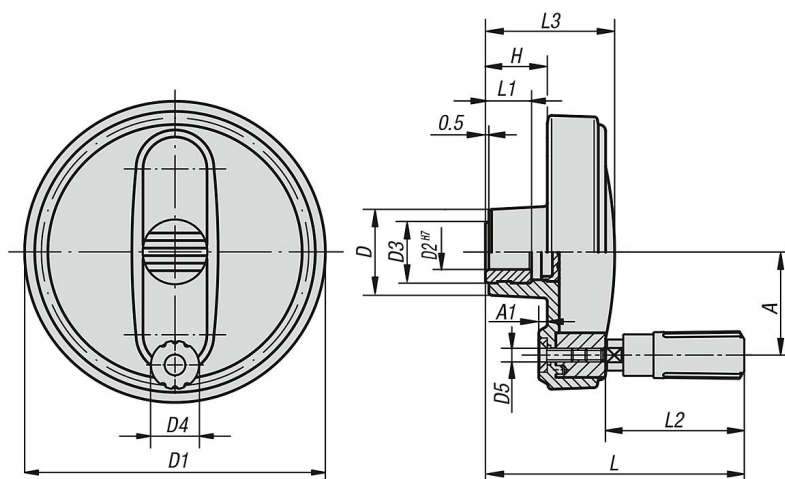
Material:
Black grey thermoplastic.

Version:
Steel parts black oxidised.

Note:
The hub cap and the revolving grip are supplied loose. To assemble the grip, simply screw it into the existing hole.
The handwheels can be secured using a transverse pin or with parallel key connection together with a DIN 6912 socket head screw and a DIN 7349 washer.



Drawings



Overview of items

Order No.	Version 1	Version 2	Size	D	D1	D2	D3	D4	D5	A	A1	H	L	L1	L2	L3
06263-1080CO	reamed hole	without transverse hole	1	25	80	0,375	19	13	M4	30	2,5	17,5	75	13	40	37,5
06263-2100CO	reamed hole	without transverse hole	2	28	100	0,375	19	16	M5	38	3	20	90	13	49,5	44
06263-2100CP	reamed hole	without transverse hole	2	28	100	0,5	19	16	M5	38	3	20	90	13	49,5	44
06263-3125CP	reamed hole	without transverse hole	3	35	125	0,5	25	20	M6	47,5	4	23,5	109	18,5	60	53
06263-4160CP	reamed hole	without transverse hole	4	45	160	0,5	25	25	M8	62	5,6	28	144	18,5	83,5	64,5

Overview of items

Order No.	Version 1	Version 2	Size	D	D1	D2	D3	D4	D5	A	A1	H	L	L1	L2	L3
06263-4160CQ	reamed hole	without transverse hole	4	45	160	0,625	25	25	M8	62	5,6	28	144	18,5	83,5	64,5