

Item description/product images



Description

Material:

Housing, steel plate.
Wheel tread, high quality polyurethane elastomere.
Wheel rims, die-cast aluminium.

Version:

Housing, press-formed.
Swivel housing, double-row ball bearings in a swivel head.
Ball bearing wheel axle bearings.

Note:

Wheel axle bolted.
Swivel and fixed castors with mounting plate.

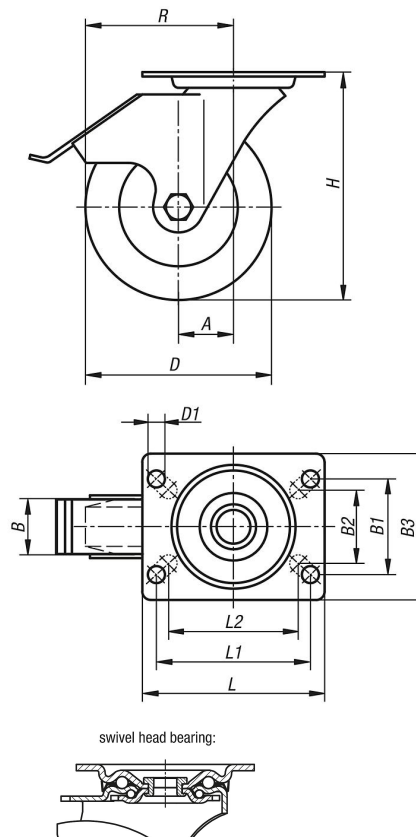
Application:

Heavy loads can be easily transported using this load handling equipment. The roll and swivel resistance is reduced with this new wheel series designed for intralogistic heavy load applications.

Temperature range:

-25 °C to +70 °C

Drawings

swivel castor
with "stop-fix"

Overview of items

Order No.	Item	Wheel bearing	A	B	B1	B2	B3	D	D1	H	L	L1	L2	Permissible load kg
95025-01-1010004021	Swivel castor	ball bearing	45	40	60	55	85	100	9	130	100	80	76	350
95025-01-1010004023	Swivel castor	ball bearing	45	40	80	75	110	100	11	130	140	105	-	350
95025-01-1012504021	Swivel castor	ball bearing	48	40	60	55	85	125	9	155	100	80	76	350
95025-01-1012504023	Swivel castor	ball bearing	48	40	80	75	110	125	11	155	140	105	-	350
95025-01-101500502	Swivel castor	ball bearing	63	50	80	75	110	150	11	197	140	105	-	500
95025-01-101600502	Swivel castor	ball bearing	63	50	80	75	110	160	11	202	140	105	-	550
95025-01-102000502	Swivel castor	ball bearing	65	50	80	75	110	200	11	245	140	105	-	600