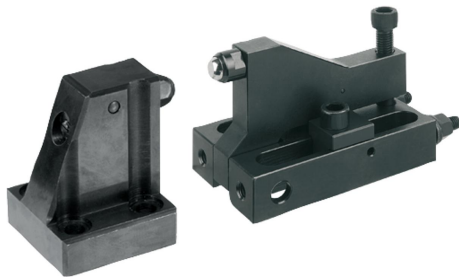


Item description/product images



Description

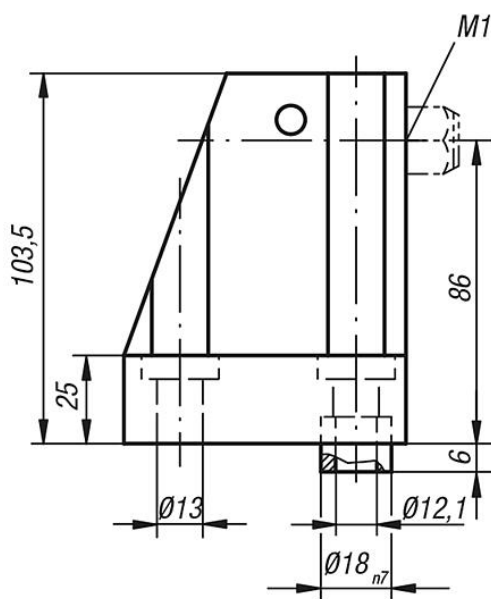
Material:
Body steel 1.1191.

Version:
Black oxidised.
Centring bush hardened.

Note:
The unit comprises of an adjustable side clamp and a side stop and are used to clamp workpieces with a simultaneous positive down force. The side clamp has two DIN 913 grub screws which can be set to prevent backward slippage during clamping.

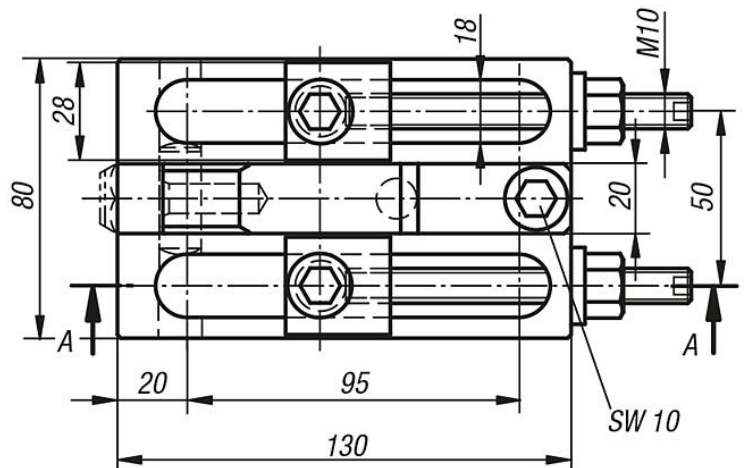
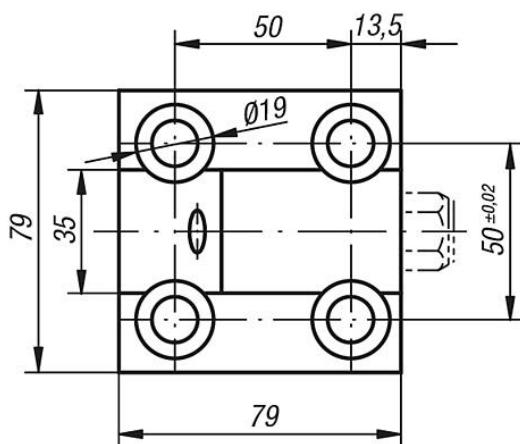
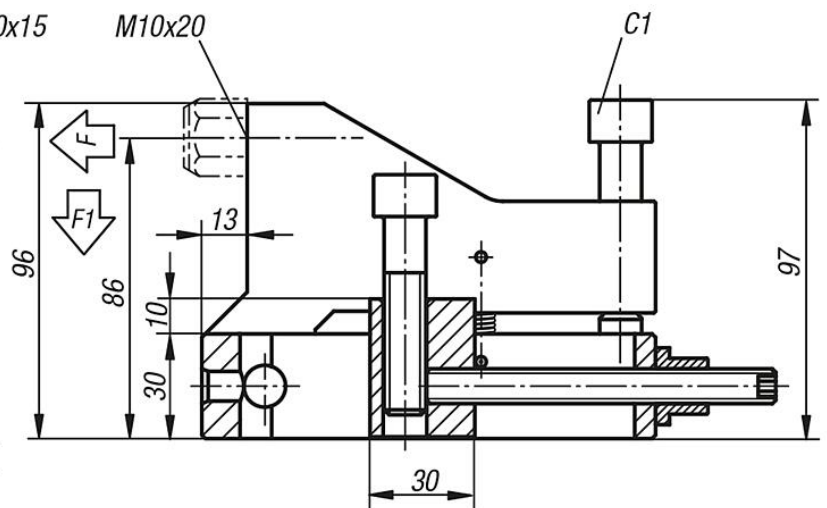
Drawings

04562-212



04562-112

A-A



Overview of items

Order No.	F N	F1 N	Tightening torque of screw C1 Nm
04562-112	25000	5000	30
04562-212	22500	4500	30