

## Item description/product images



### Description

**Material:**

Carbon steel.  
Ball knob plastic.

**Version:**

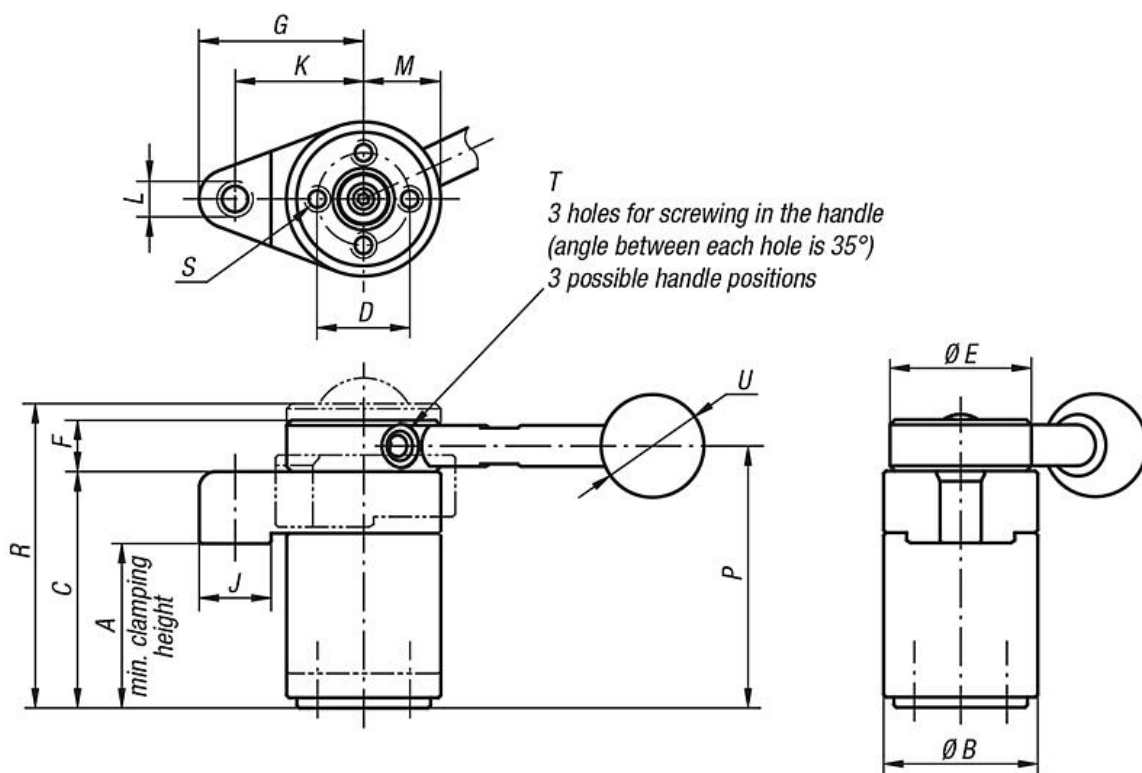
Tempered and black oxidised.  
Ball knob thermoset PF 31, black.

**Note:**

\* Admissible hand force to operate the handle.

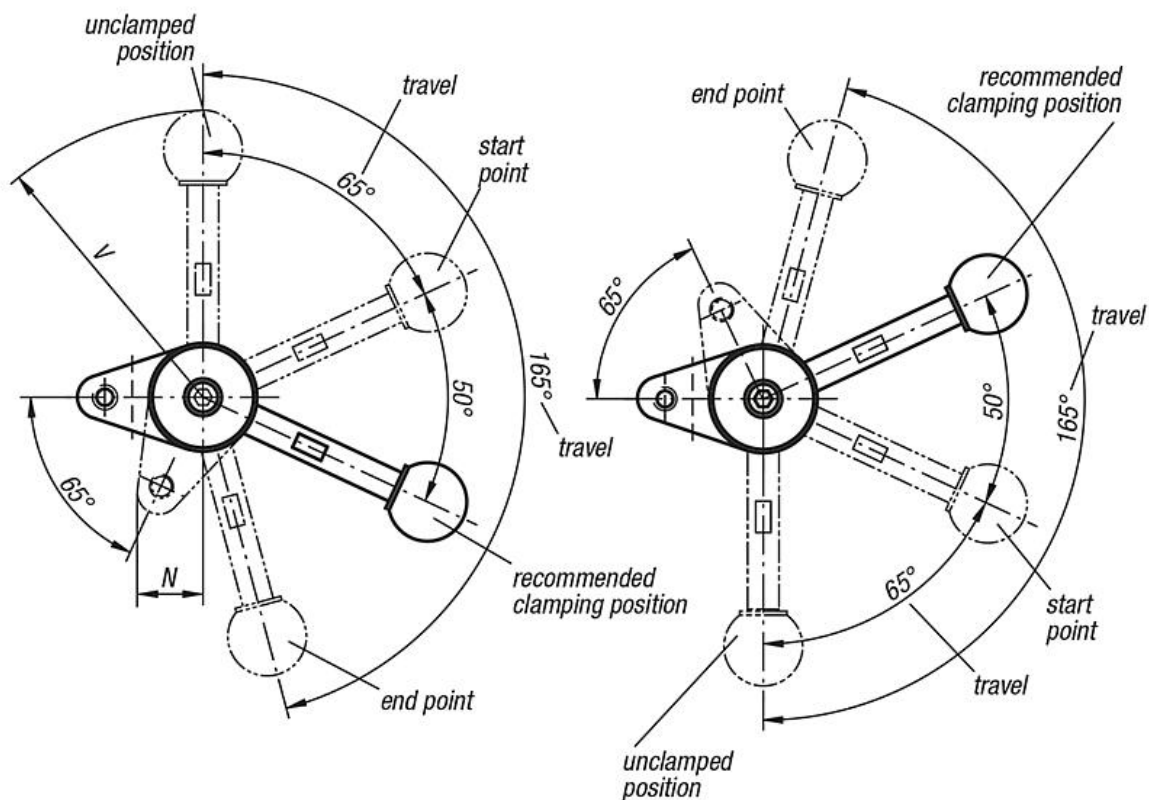
**Accessory:**

Standard handles 06355.  
Screw-in handles with adjustable torque 06357.



Right hand

Left hand



## Overview of items

Order No. left	Order No. right	Grip	A min.	A max.	B	C	D	E	F	G	J	K	L	M	N	P	R	S	T	U	V	F=Retaining force N	Hand force FH N
04366-003232	04366-103232	without	31,4	32,6	30	46	18	30	10	32	14	25	M6	15	17	51	57,5	M4x8	M5	-	-	800	150*
04366-004540	04366-104540	without	44,1	45,9	40	63	25	38	13	40	16	32	M8	20	22,5	69,5	78,1	M6x12	M6	-	-	1200	200*
04366-013232	04366-113232	with handle	31,4	32,6	30	46	18	30	10	32	14	25	M6	15	17	51	57,5	M4x8	M5	20	73	800	150*
04366-014540	04366-114540	with handle	44,1	45,9	40	63	25	38	13	40	16	32	M8	20	22,5	69,5	78,1	M6x12	M6	25	107	1200	200*