

Item description/product images

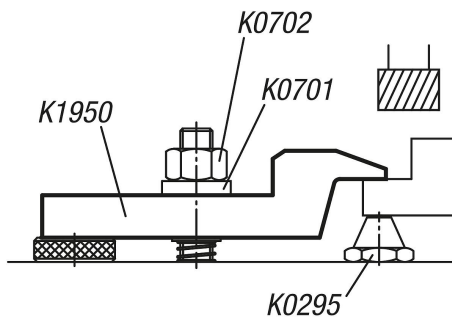


Description

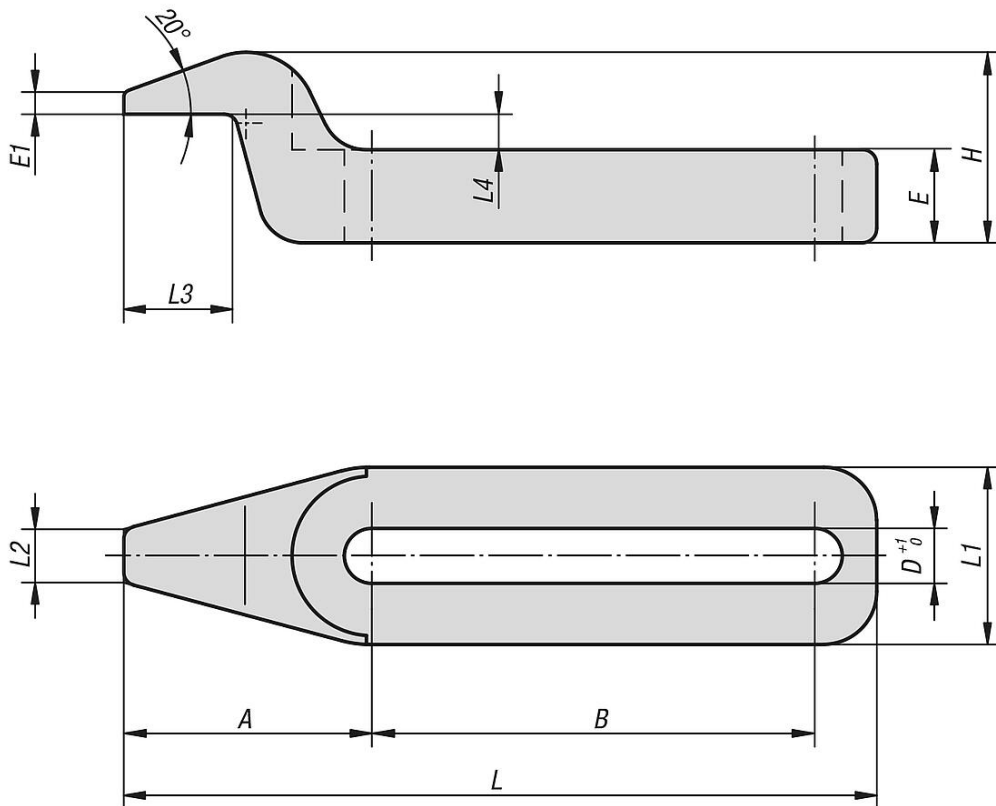
Material:
Carbon steel.

Version:
Tempered and black oxidised.

Note:
The flat gooseneck allows lower steps on the workpiece to be machined or clamped.
When using spherical washers 07420 use Form G.



Drawings



Overview of items

| Order No. | A | B | D | E | E1 | H | L | L1 | L2 | L3 | L4 | Clamping force kN |
|-------------|----|-----|------|------|-----|------|-----|----|----|------|-----|-------------------|
| 04088-06005 | 28 | 32 | 6,2 | 7,5 | 2,5 | 18,5 | 67 | 20 | 6 | 12,5 | 4 | 4,82 |
| 04088-06010 | 28 | 50 | 6,2 | 10,5 | 2,5 | 21,5 | 85 | 20 | 6 | 12,5 | 4 | 4,82 |
| 04088-08005 | 28 | 32 | 8,2 | 7,5 | 2,5 | 18,5 | 67 | 20 | 6 | 12,5 | 4 | 8,77 |
| 04088-08010 | 28 | 50 | 8,2 | 10,5 | 2,5 | 21,5 | 85 | 20 | 6 | 12,5 | 4 | 8,77 |
| 04088-10005 | 45 | 50 | 10,2 | 12 | 4 | 30 | 105 | 30 | 10 | 20 | 6 | 13,9 |
| 04088-10010 | 45 | 80 | 10,2 | 17 | 4 | 35 | 135 | 30 | 10 | 20 | 6 | 13,9 |
| 04088-12005 | 45 | 50 | 12,2 | 12 | 4 | 30 | 105 | 30 | 10 | 20 | 6 | 20,2 |
| 04088-12010 | 45 | 80 | 12,2 | 17 | 4 | 35 | 135 | 30 | 10 | 20 | 6 | 20,2 |
| 04088-16005 | 72 | 80 | 16,2 | 19 | 7 | 48 | 168 | 48 | 16 | 32 | 9,5 | 37,8 |
| 04088-16010 | 72 | 128 | 16,2 | 27 | 7 | 56 | 216 | 48 | 16 | 32 | 9,5 | 37,8 |
| 04088-20005 | 72 | 80 | 20,2 | 19 | 7 | 48 | 168 | 48 | 16 | 32 | 9,5 | 58,8 |
| 04088-20010 | 72 | 128 | 20,2 | 27 | 7 | 56 | 216 | 48 | 16 | 32 | 9,5 | 58,8 |