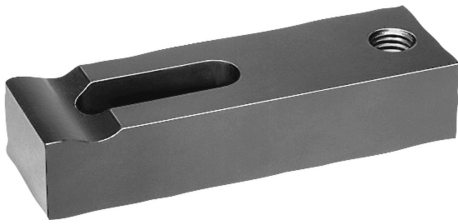


Item description/product images

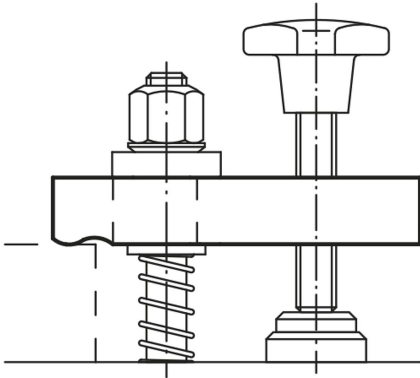


Description

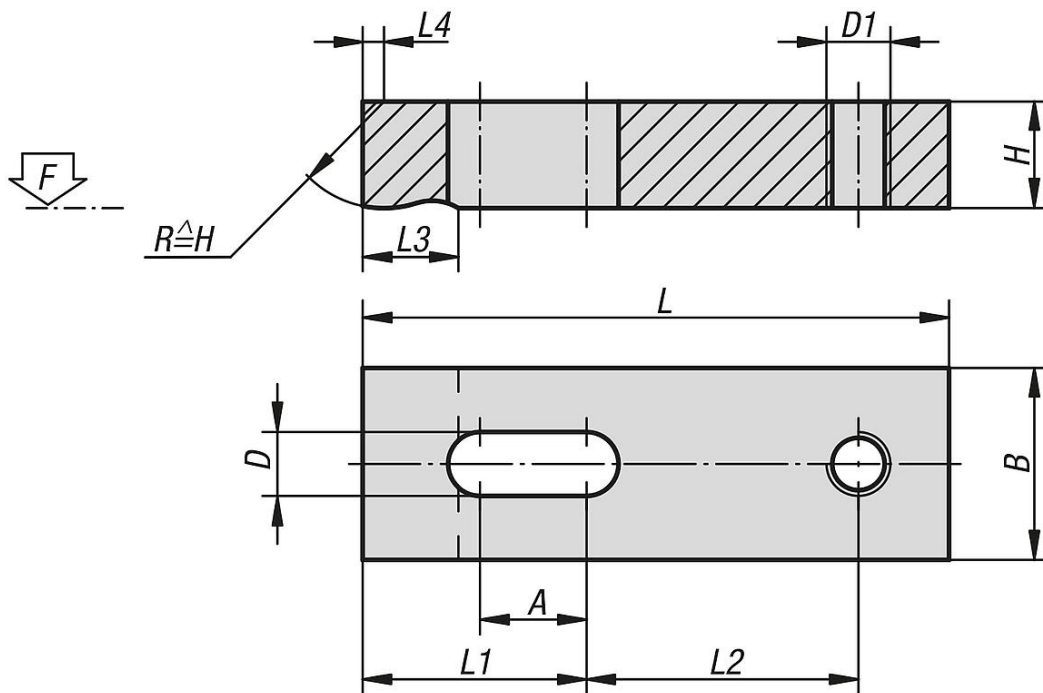
Material:
Carbon steel 1.1191

Version:
Black oxidised.

Note:
When using spherical washers use the wide series 07420 Form G.



Drawings



Overview of items

Order No.	L	L1	L2	L3	L4	B	H	D	D1	A	F kN
04050-05	40	18	18	8	1,2	12	8	5,5	M6	10	3,42
04050-06	50	22	23	10	1,6	16	10	7	M6	12	4,82
04050-08	63	28	29	12	2	20	12	9	M8	16	8,77
04050-10	80	36	36	16	2,5	25	16	11	M10	20	13,9
04050-12	100	45	45	20	3	32	20	14	M12	25	20,2
04050-14	125	57	56	25	4	40	25	16	M14	32	27,6
04050-16	160	72	72	32	5	50	30	18	M16	40	37,8

Overview of items

Order No.	L	L1	L2	L3	L4	B	H	D	D1	A	F kN
04050-20	200	90	90	40	6	60	30	22	M20	50	58,8