

Item description/product images

**Description****Material:**

Steel.

Clamping screws carbon steel.

Version:

Black oxidised.

Clamping screws ISO 4762, grade 12.9.

Note:

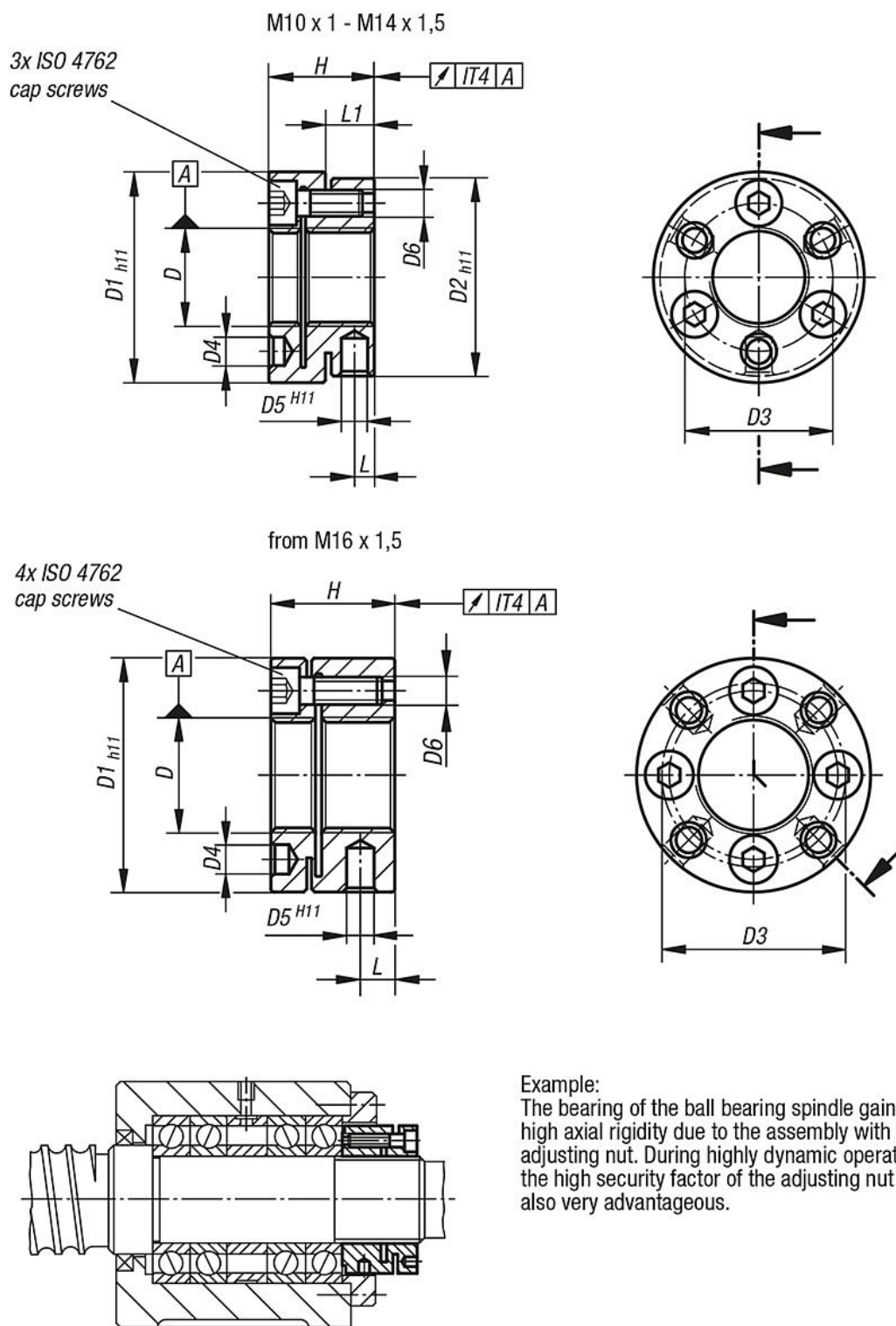
Two screw parts that are elastically connected are tightened against each other with screws.

The adjustment nut is constructed rotationally symmetric. There are no unbalancing keyways or slots.

Note:

The adjustment nut can be axially deformed and must be handled with care. The clamping screws may only be tightened when the adjustment nut is completely screwed onto the spindle thread, otherwise the adjustment nut could become defective through unacceptable plastic deformation.

Drawings



Overview of items

Order No.	D	D1	D2	D3	D4	D5	D6	H	L	L1	Tightening torque of screws Nm	Max. static axial pressure stress N	Max. dynamic axial pressure stress N	Inertia (gcm ²)
07598-024101015	M10X1	24	22	17	3,2	2,5	M3	15	3	6,5	2	15000	12000	27
07598-026121515	M12X1,5	26	25	19	3,2	3	M3	15	3	6,5	2	18000	13000	40
07598-032141516	M14x1,5	32	30	22,5	4,3	4	M4	16	3	7	2,9	22000	17000	96
07598-034161518	M16x1,5	34	-	24,5	4,3	4	M4	18	5	-	2,9	22000	17000	147

Overview of items

Order No.	D	D1	D2	D3	D4	D5	D6	H	L	L1	Tightening torque of screws Nm	Max. static axial pressure stress N	Max. dynamic axial pressure stress N	Inertia (gcm ²)
07598-036181518	M18x1,5	36	-	26,5	4,3	4	M4	18	5	-	2,9	25000	19000	183
07598-040201518	M20x1,5	40	-	30,5	4,3	4	M4	18	5	-	2,9	28000	18000	283
07598-040221518	M22x1,5	40	-	30,5	4,3	4	M4	18	5	-	2,9	32000	23000	270
07598-042241518	M24x1,5	42	-	32,5	4,3	4	M4	18	5	-	2,9	35000	25000	323
07598-045261520	M26x1,5	45	-	36,5	4,3	5	M4	20	6,5	-	2,9	49000	34000	479
07598-046281520	M28x1,5	46	-	38,5	4,3	5	M4	20	6,5	-	2,9	53000	36000	504
07598-048301520	M30x1,5	48	-	40,5	4,3	5	M4	20	6,5	-	2,9	57000	38000	588
07598-050321522	M32x1,5	50	-	42,5	4,3	5	M4	22	7	-	2,9	64000	44000	743
07598-053351522	M35x1,5	53	-	45,5	4,3	5	M4	22	7	-	2,9	66000	47000	914