

Item description/product images



Description

Material:

Race body die-cast aluminium.
 End pieces polyester.
 Wipers modified polyamide.
 longitudinal seals rubber.
 Rollers steel 1.3505.

Version:

Runner body nickel-plated.

Note:

Roller carriage with lifetime lubricated ball bearings and patented wiper technology which lubricates the system while in motion.

A simple adjustment of the middle roller makes the roller carriage play-free or sets the desired preload in the rail.

High traverse speeds of up to 7 m/s and extremely quiet (faster and quieter than systems with recycling ball bearings).

Application temperature -30 °C to +120 °C.

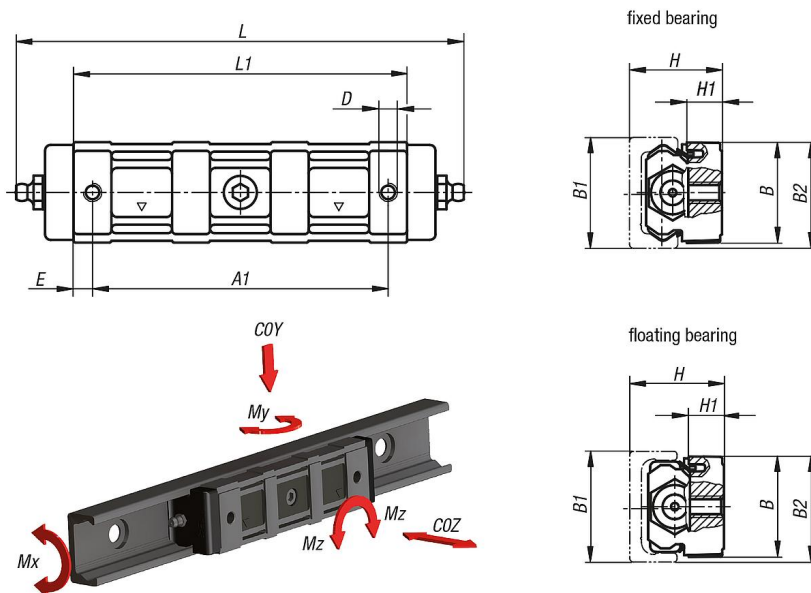
On request:

Roller carriages with 4 or 5 rollers.

Note:

Carriages size 18 (fixed bearing and floating bearing) do not have grease nipples.

Drawings



Overview of items

Fixed bearing

Order No.	Size	A1	B	B1	B2	D	E	H	H1	L	L1	C dynamic N	COY N	COZ N	Mx Nm	My Nm	Mz Nm
21322-2143134	43	114	41	43	41,9	M8	10	37	13,7	170	134	12280	5500	1570	23,6	60	104,5

