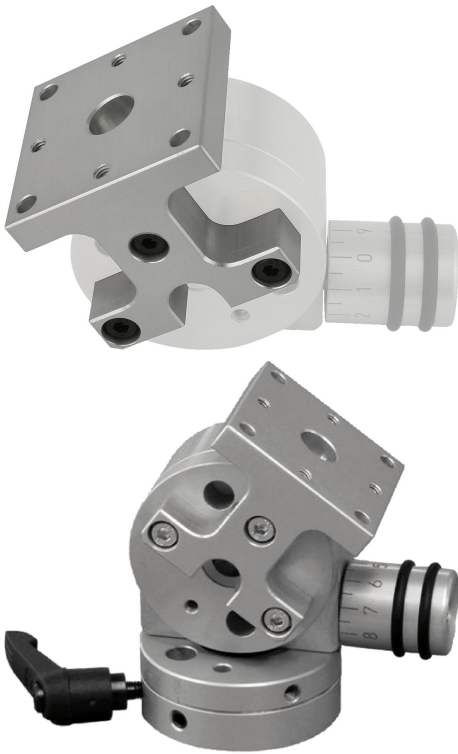


Item description/product images

**Description****Material:**

Aluminium alloy.

Version:

Milled and anodised

Note:

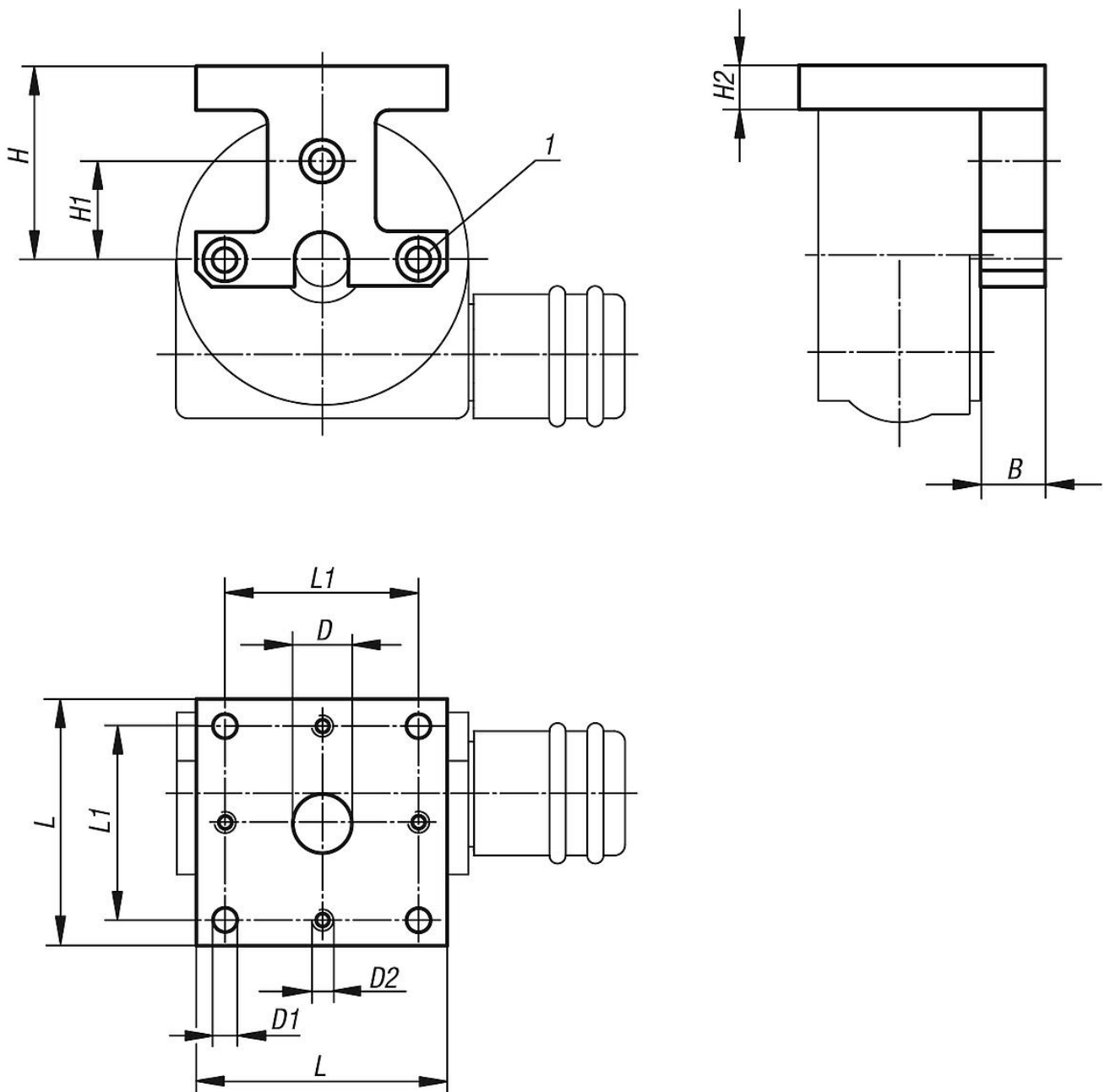
The swivel angle is mounted on a rotary positioning table and offers further mounting possibilities.

Suitable for 21160 in matching sizes.

Drawing reference:

1) D3 for socket head screw ISO 4762

Drawings



Overview of items

Order No.	B	D	D1	D2	D3	H	H1	H2	L	L1
21162-04	7	6	3,3	M3	M3	22	11	6	29	22
21162-08	12	11	4,5	M4	M4	36	18	8	46	36
21162-12	20	16	6,5	M6	M6	51	30	10	75	60
21162-25	25	40	11	M10	M10	98	65	20	150	130

