

Item description/product images



Description

Product description:

Swing clamps are mainly used where the clamping points must be free when the workpiece is loaded or removed.

When the end position of the clamping position is reached, a click can be heard and felt.

Material:

Body QT steel.
Grip plastic.
Clamping spindle brass.

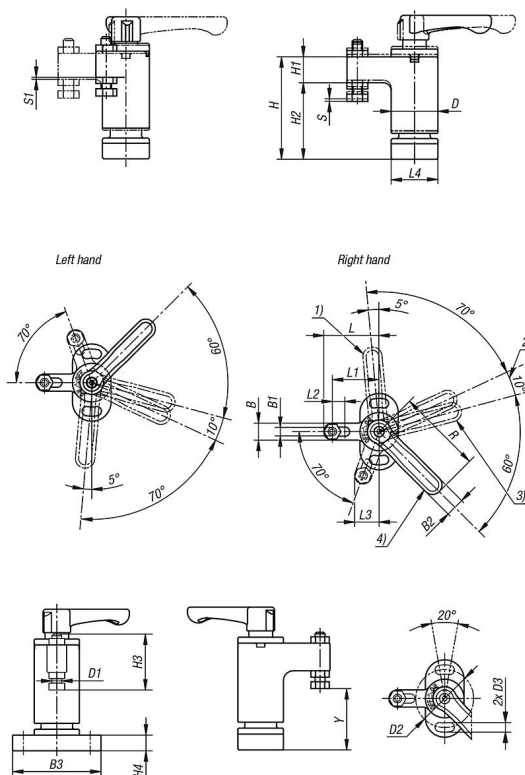
Version:

Body tempered and nickel-plated.
Grip orange.

Drawing reference:

- 1) Unclamped position
- 2) Clamp travel
- 3) Clamping start position
- 4) Clamped position

Drawings



Overview of items

Order No.	Version 1	Surface finish body	B	B1	B2	B3	D	D1	D2	D3	H	H1	H2	H3	H4	L	L1	L2	L3	L4	R	Travel S	S1= Pre-tension travel	Y min.	Y max.	Clamping force N
04364-01-01801	left	nickel-plated	8	4,3	9	36	18	M4	27	4,3	55	10	30	22,8	6	26	22	6	11,5	18	40	1	0,8	19	25	180
04364-01-03201	left	nickel-plated	10	5,3	11	45	23	M5	34	5,3	72	14	40	28,5	8	35	30	8	15,3	23	50	1,4	1,1	28,3	33,7	320
04364-01-05501	left	nickel-plated	16	8,4	13	65	30	M8	48	8,4	92	18	50	40,5	12	45	37	8	20,7	30	63	1,5	1,4	31,7	39,7	550
04364-01-11801	right	nickel-plated	8	4,3	9	36	18	M4	27	4,3	55	10	30	22,8	6	26	22	6	11,5	18	40	1	0,8	19	25	180
04364-01-13201	right	nickel-plated	10	5,3	11	45	23	M5	34	5,3	72	14	40	28,5	8	35	30	8	15,3	23	50	1,4	1,1	28,3	33,7	320
04364-01-15501	right	nickel-plated	16	8,4	13	65	30	M8	48	8,4	92	18	50	40,5	12	45	37	8	20,7	30	63	1,5	1,4	31,7	39,7	550