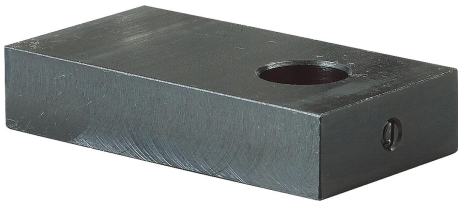


Item description/product images

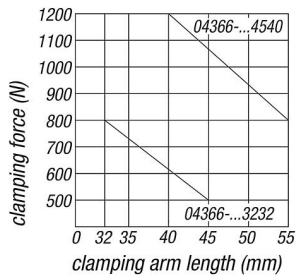


Description

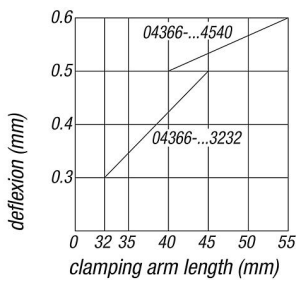
Material:
Carbon steel.

Version:
Black oxidised.

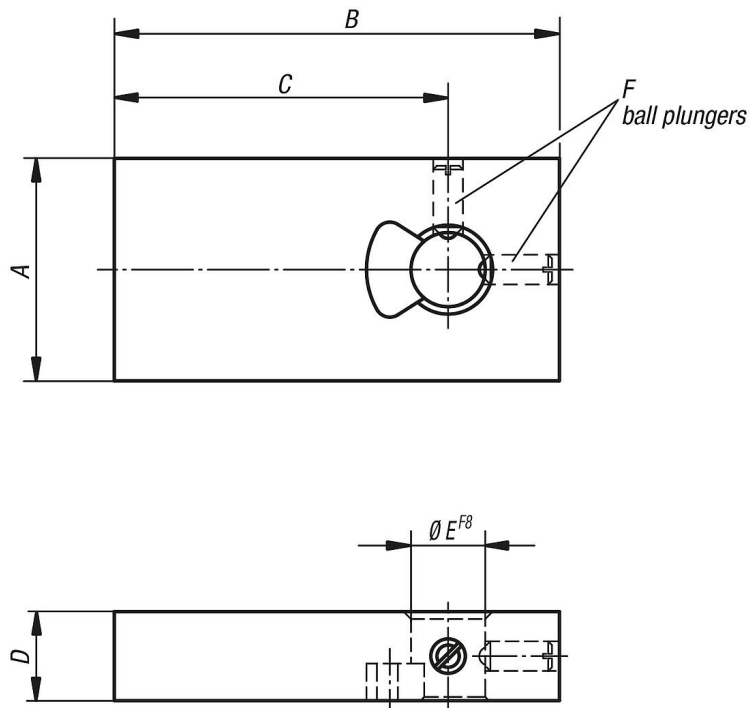
clamping arm length C vs. clamping force



clamping arm length C vs. deflexion during clamping



Drawings



Overview of items

Order No.	A	B	C	D	E	F
04366-03006010	30	60	45	12	10	M4
04366-04007516	40	75	55	16	16	M5